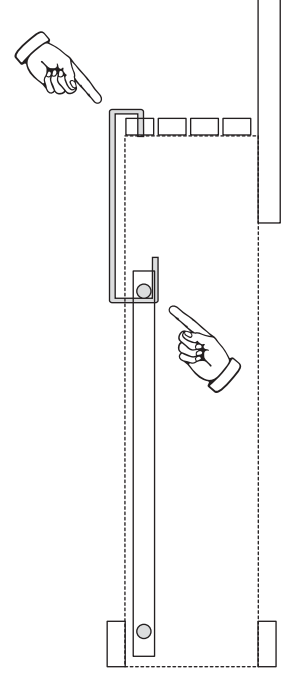
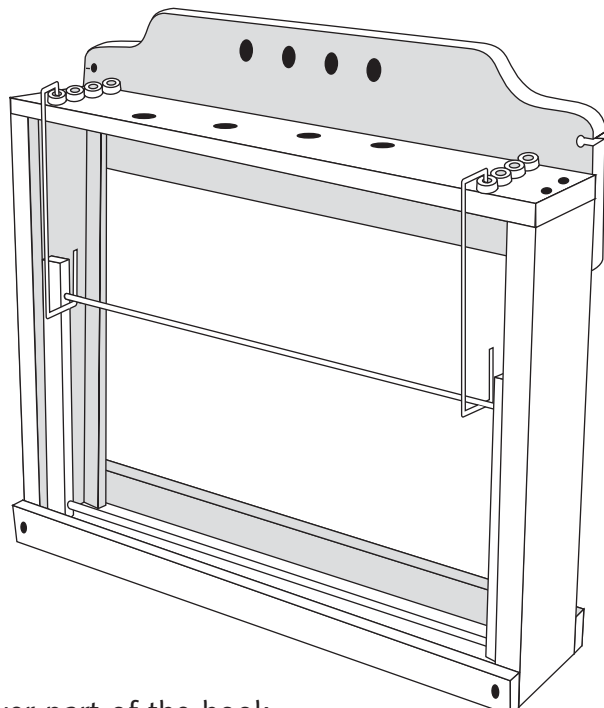
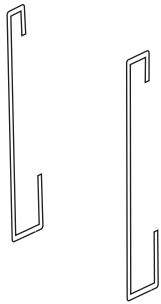


RADDLE

How to attach your new Ashford Raddle to your loom:

- 1) Insert the top hook into the nylon guide. Lift the metal bar into the lower part of the hooks.



- 2) Hang the raddle in the lower part of the hook.

