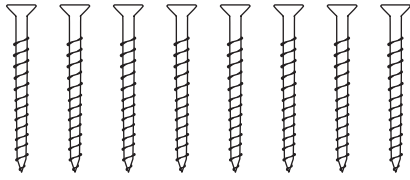
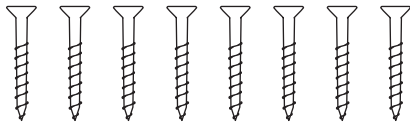




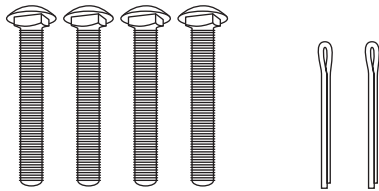
Assembly Instructions for The Ashford Rigid Heddle Loom Stand



45mm (1 3/4") Screws

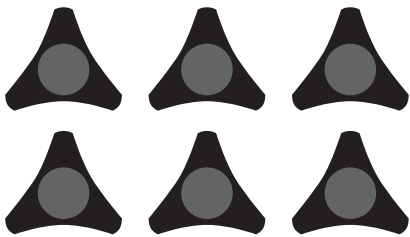


32mm (1 1/4") Screws

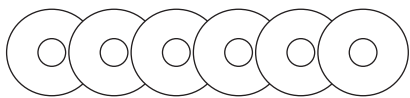


40mm (1 1/2") Bolts

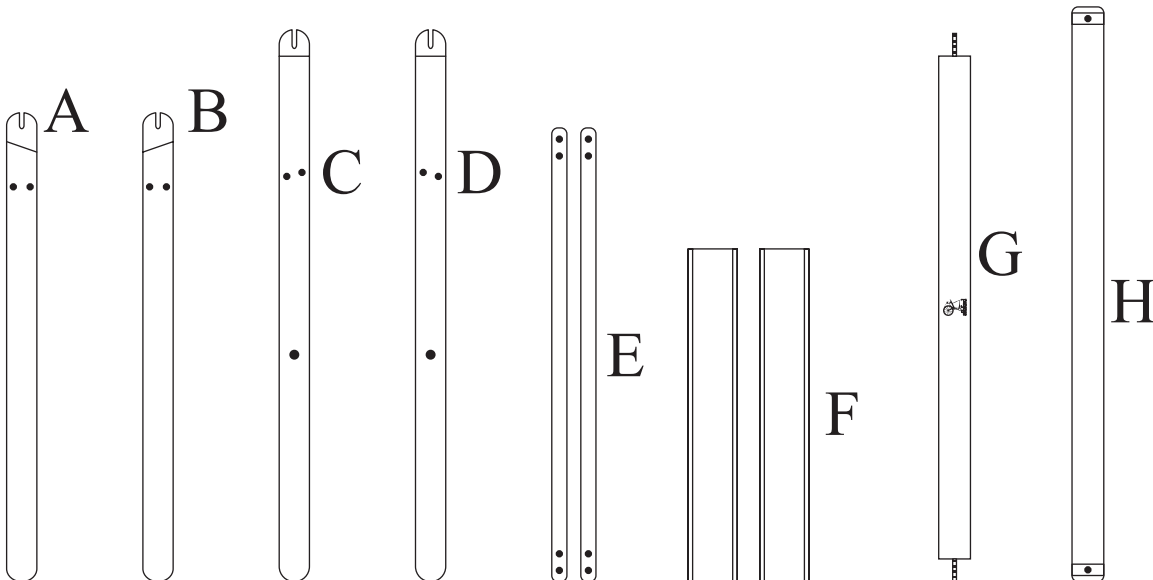
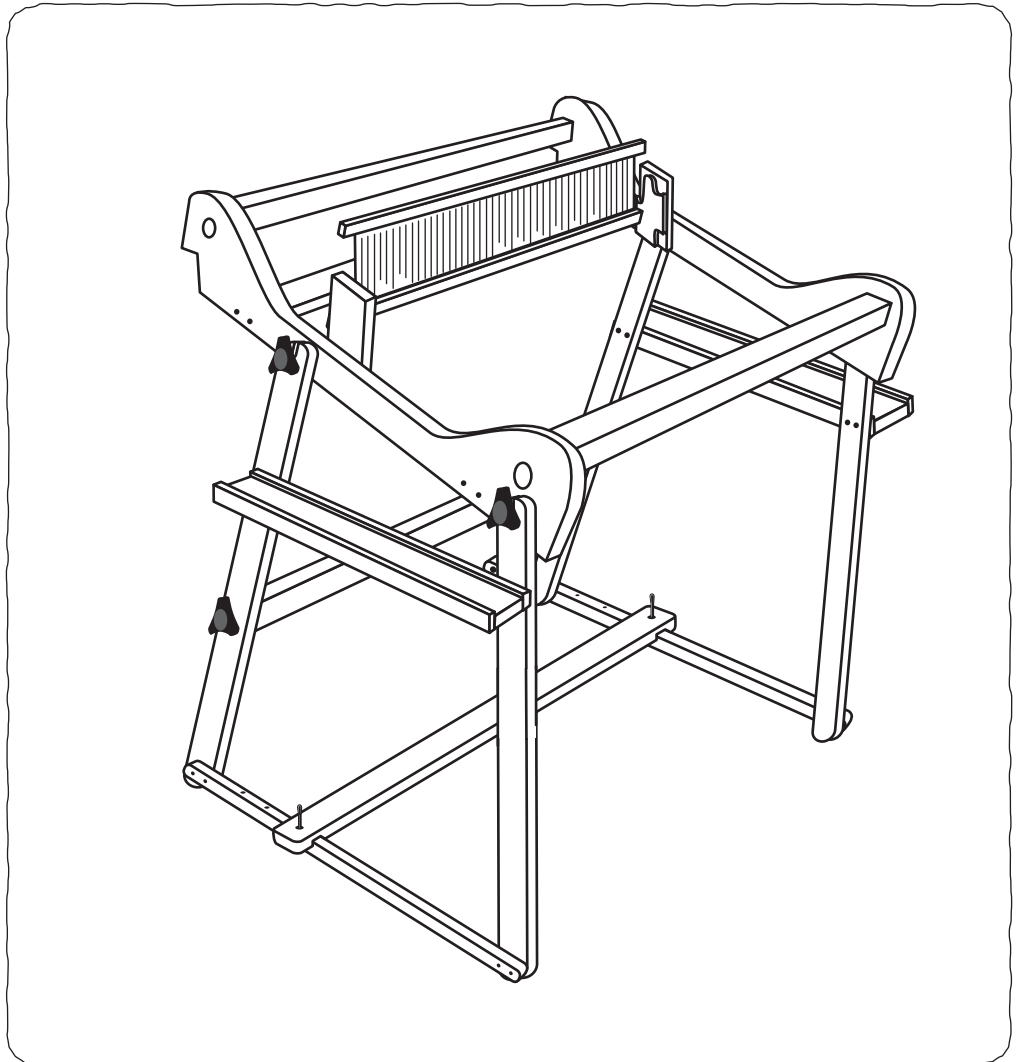
Pins



Handles



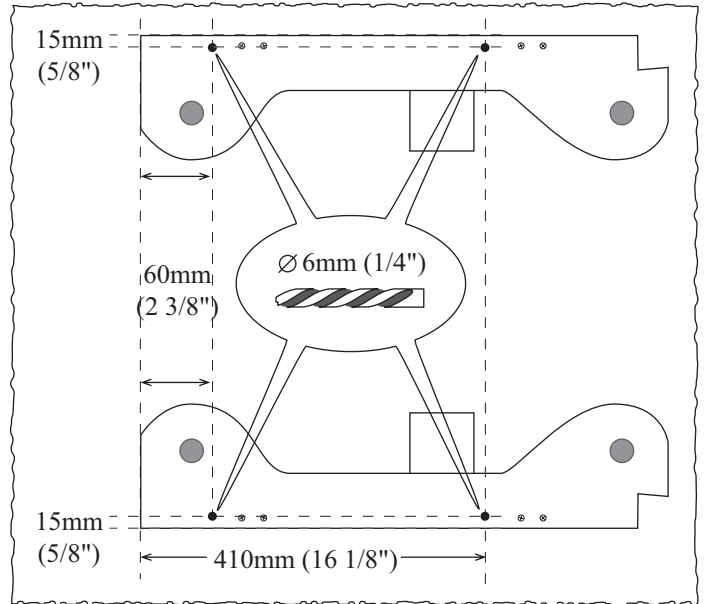
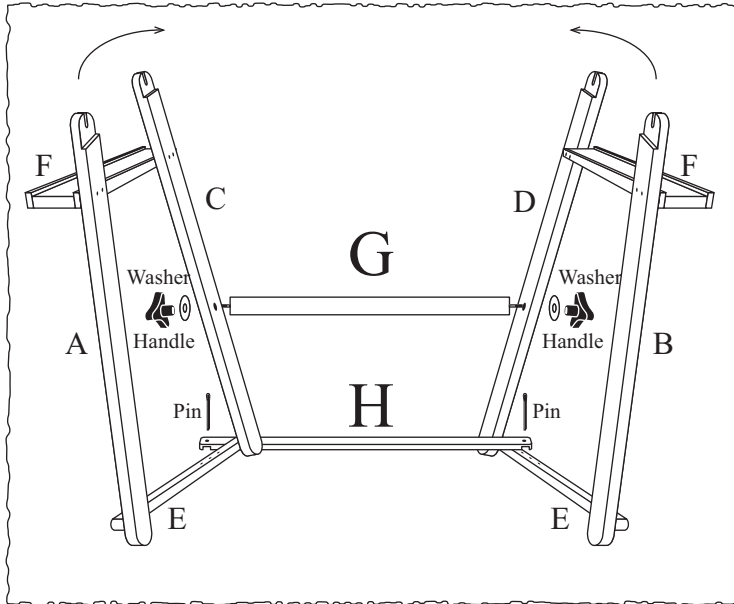
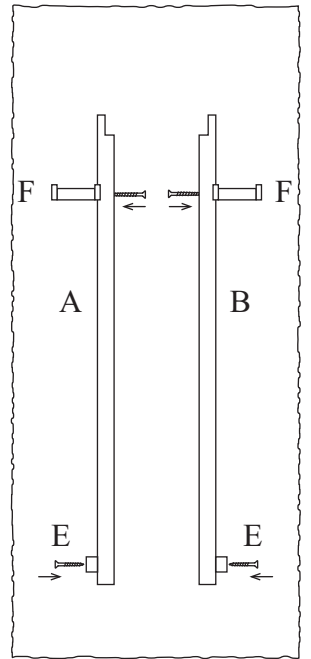
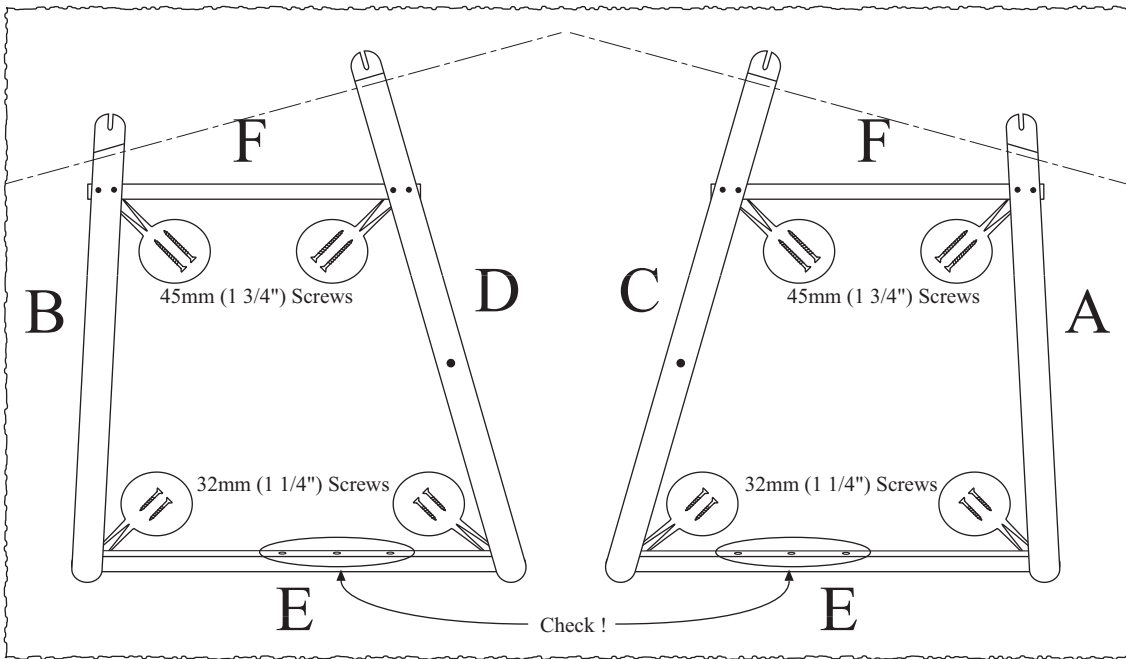
Washers



PARTS

- A - Front Right Leg
- B - Front Left Leg
- C - Back Right Leg
- D - Back Left Leg
- E - Bottom Rails
- F - Shelf
- G - Back Rail
- H - Foot Rest

The Ashford Rigid Heddle Loom Stand



If your loom has not been pre-drilled, see back of instructions template for hole drilling in loom sides.

