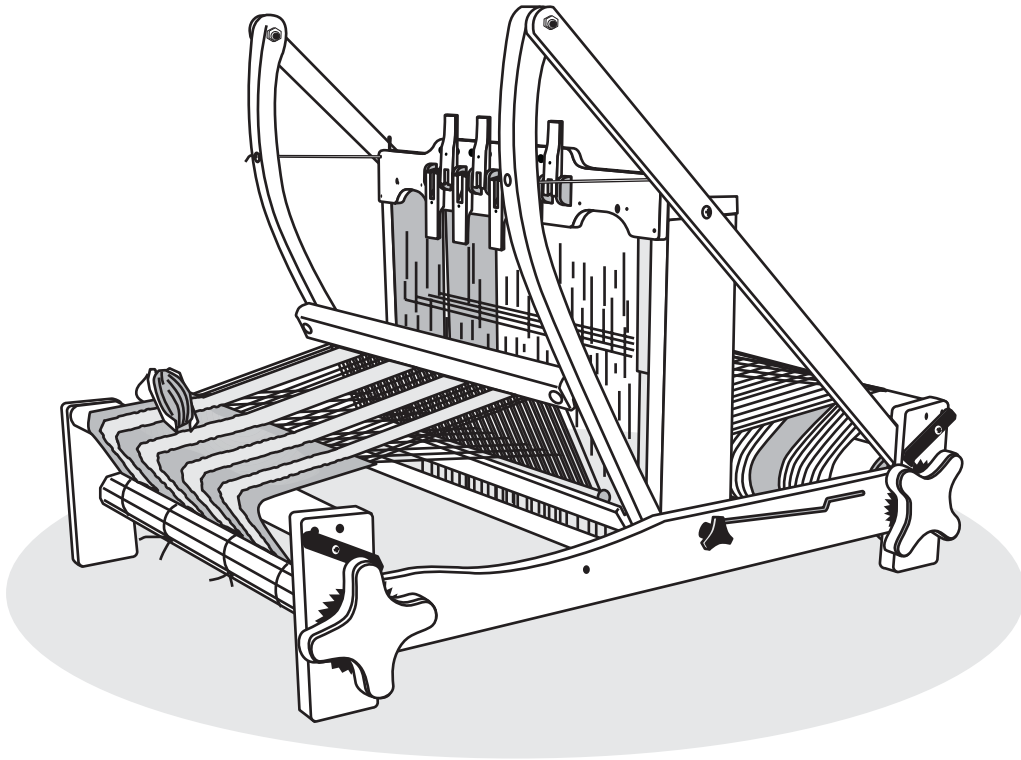


Assembly Instructions For  
**The Ashford Table Loom**  
8 Shaft - 410 / 610 / 800 mm  
(16") (24") (32")



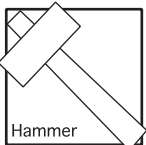
**TOOLS**



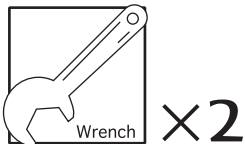
Screwdriver



CandleWax



Hammer



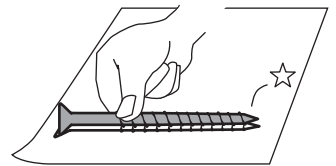
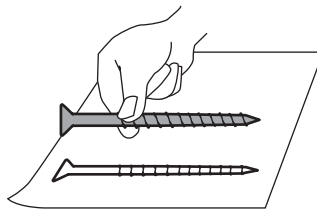
Wrench

x2

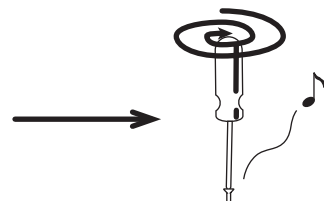
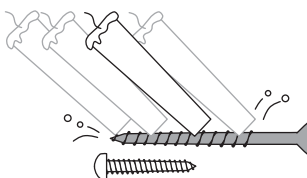
In the kit



Hint 1



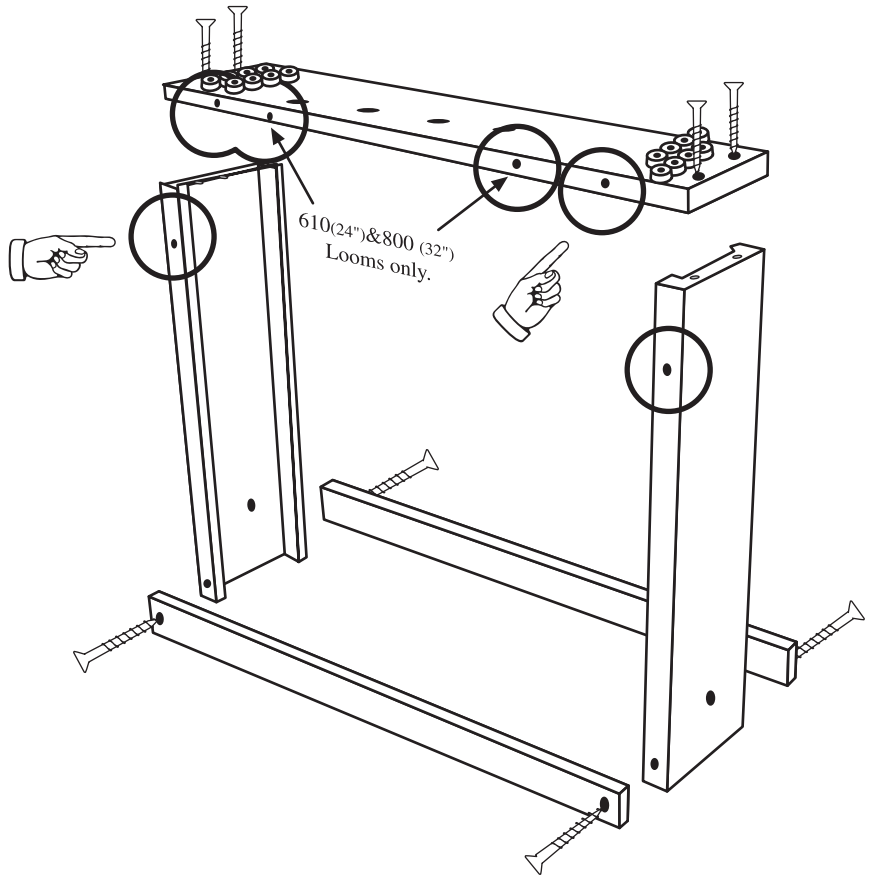
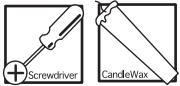
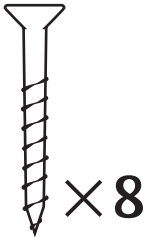
Hint 2



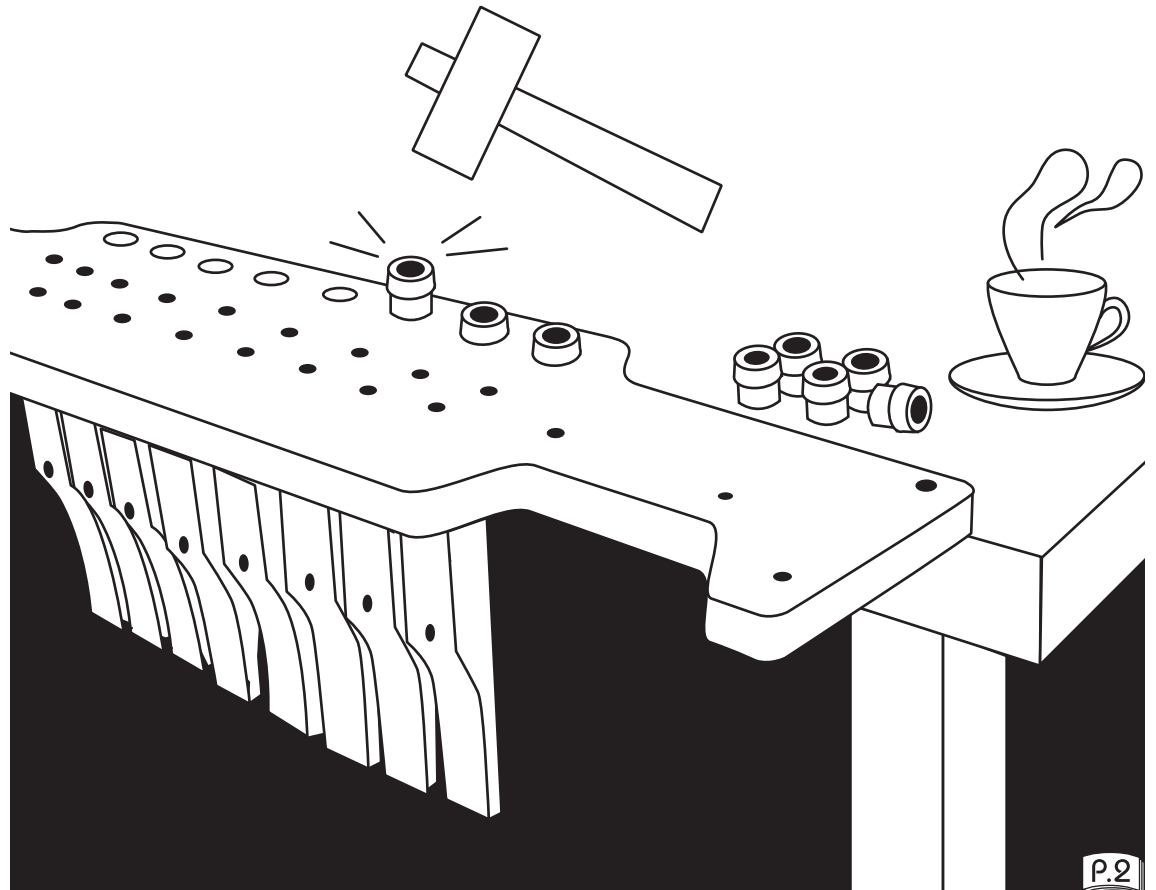
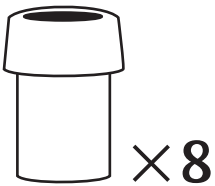
# The Ashford Table Loom Eight shaft

1

!Check





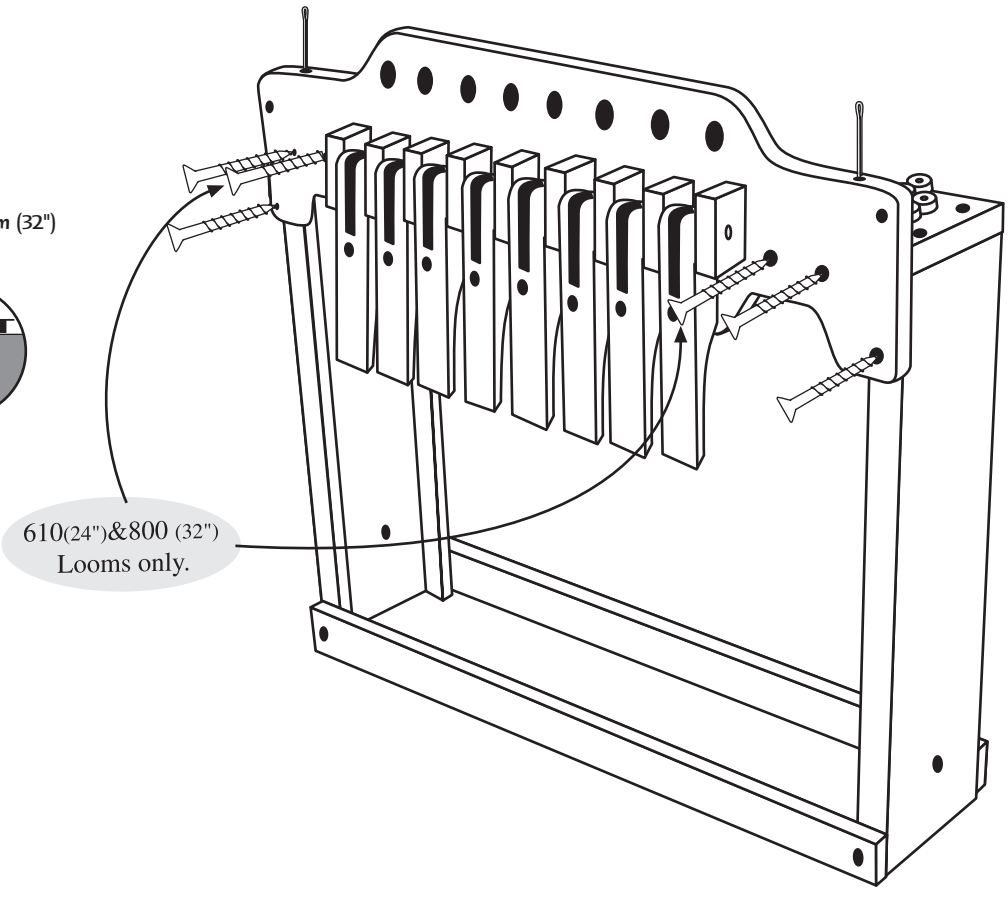
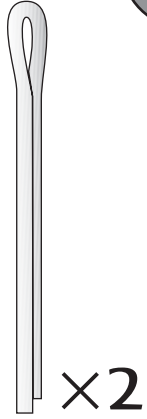
2



# The Ashford Table Loom Eight shaft

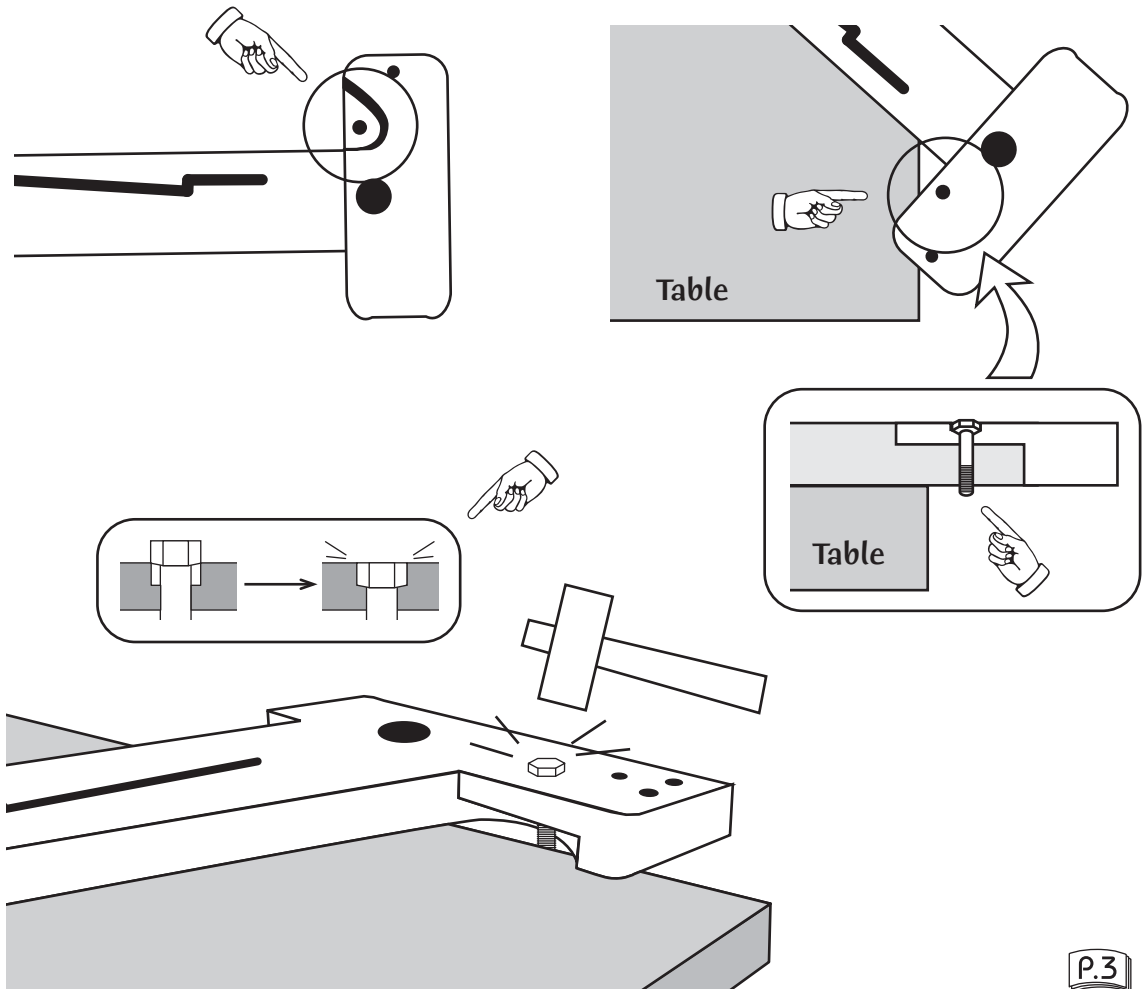
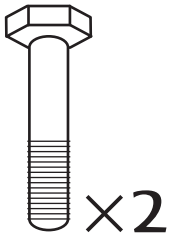
3

- 
**×4**  
 410 mm (16") Loom
- 
**×6**  
 610 (24") & 800 mm (32") Looms



4

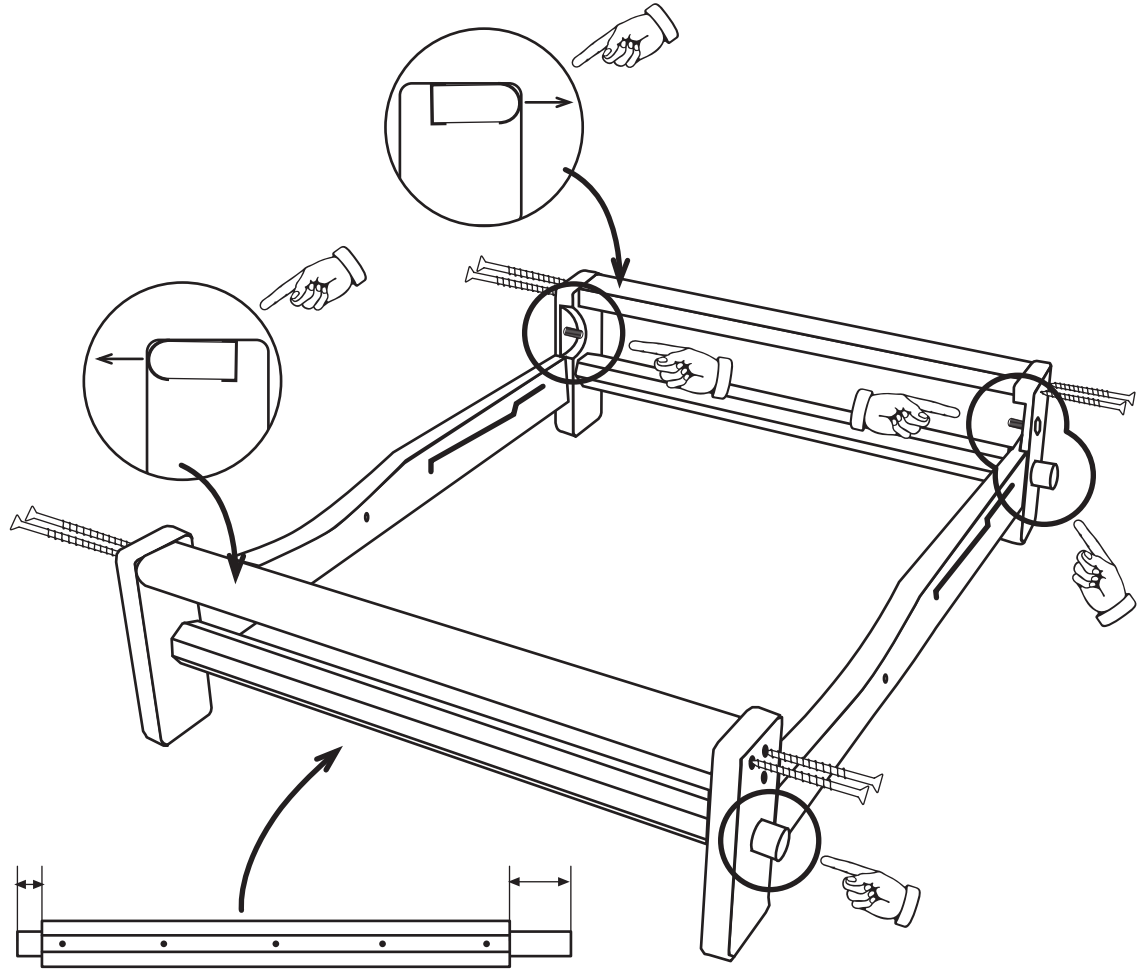
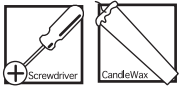
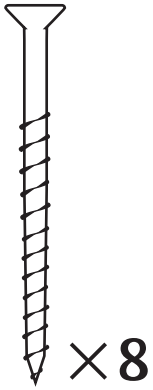
**!Check**



The Ashford Table Loom Eight shaft

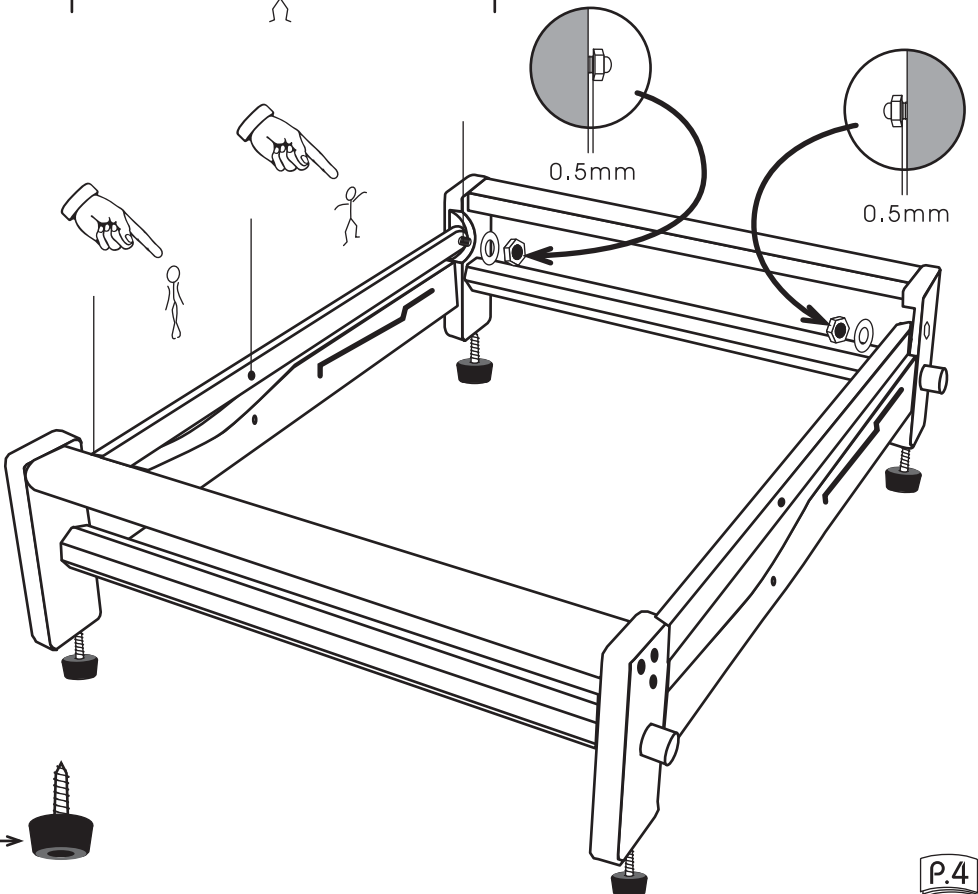
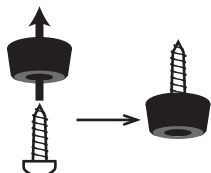
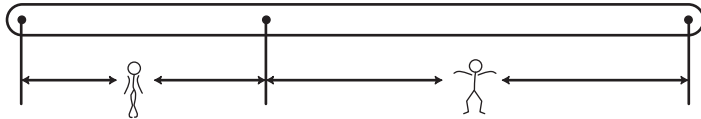
5

!Check



6

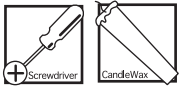
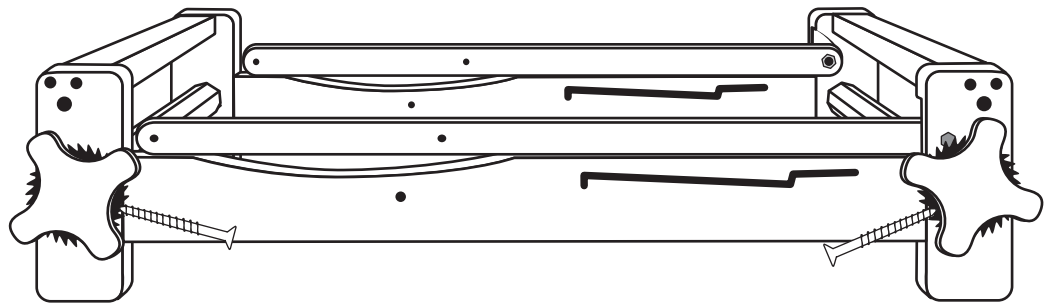
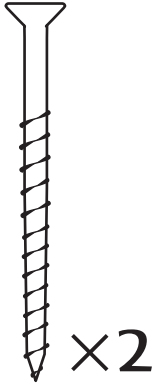
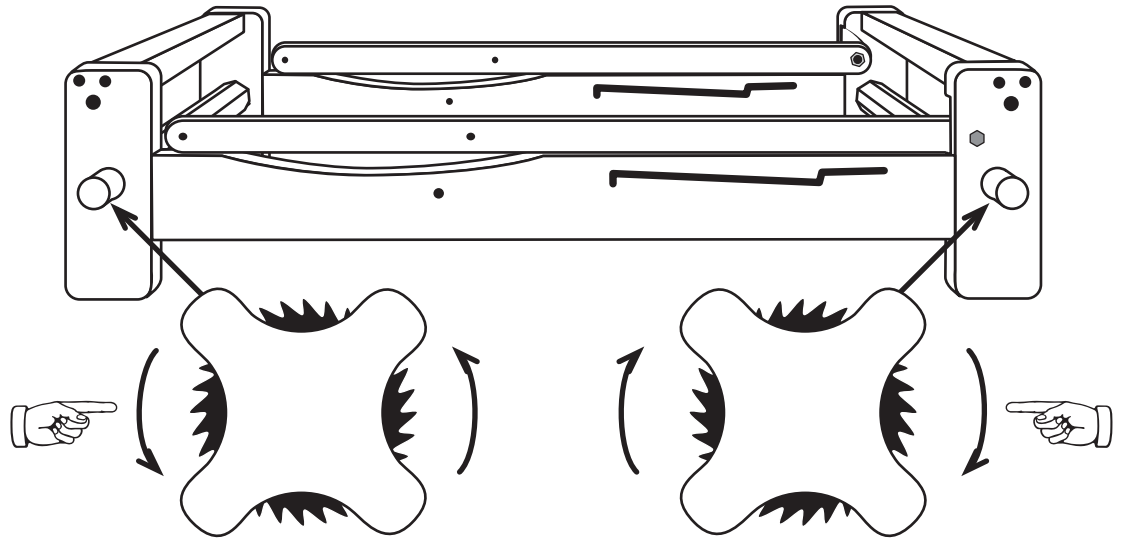
!Check



The Ashford Table Loom Eight shaft

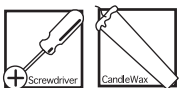
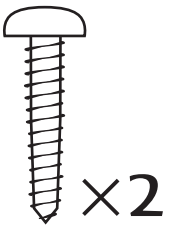
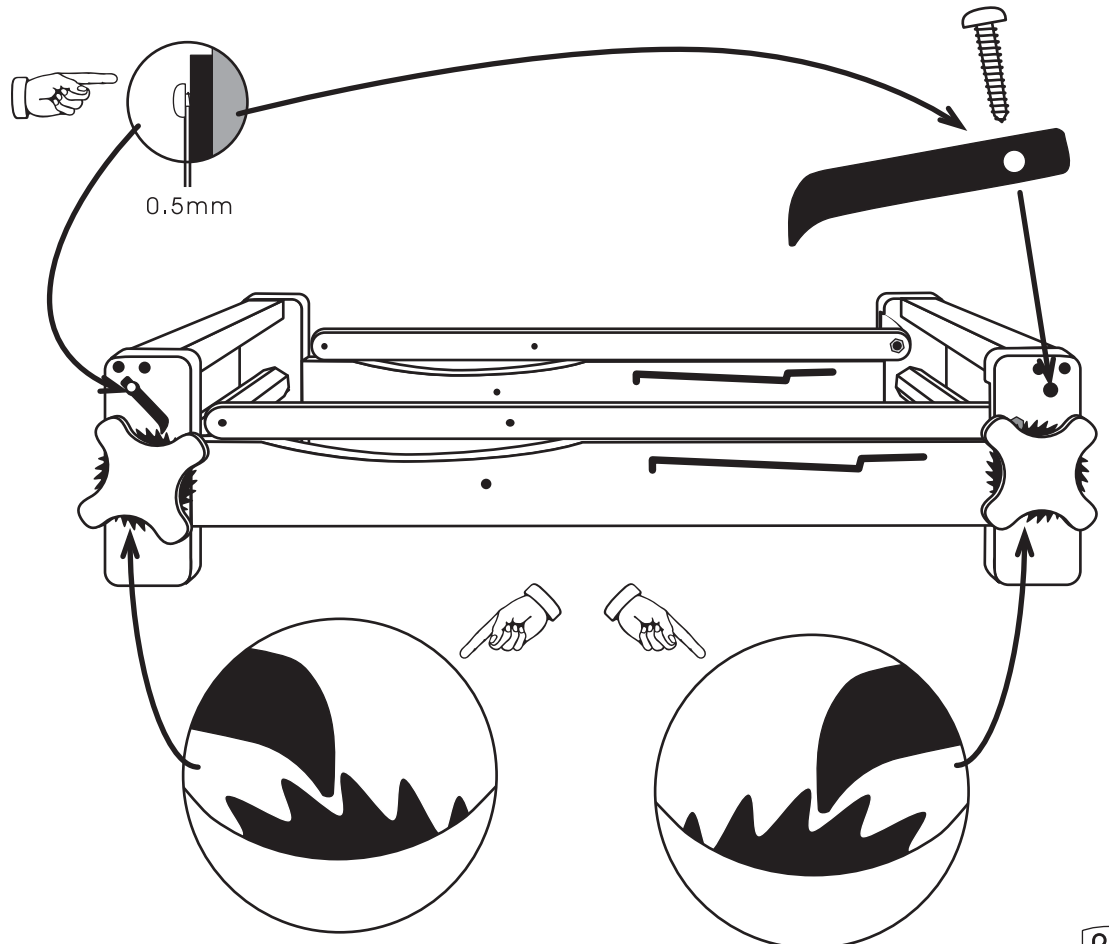
7

!Check



8

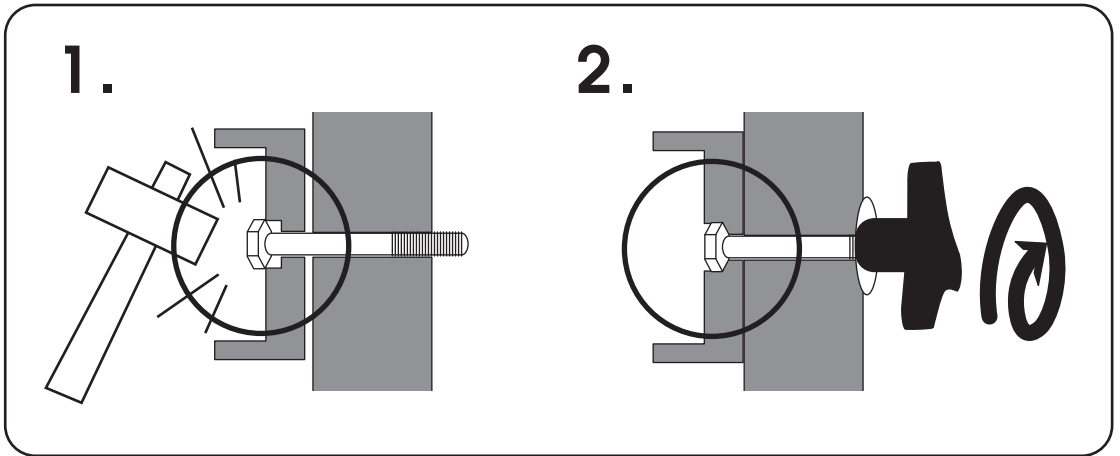
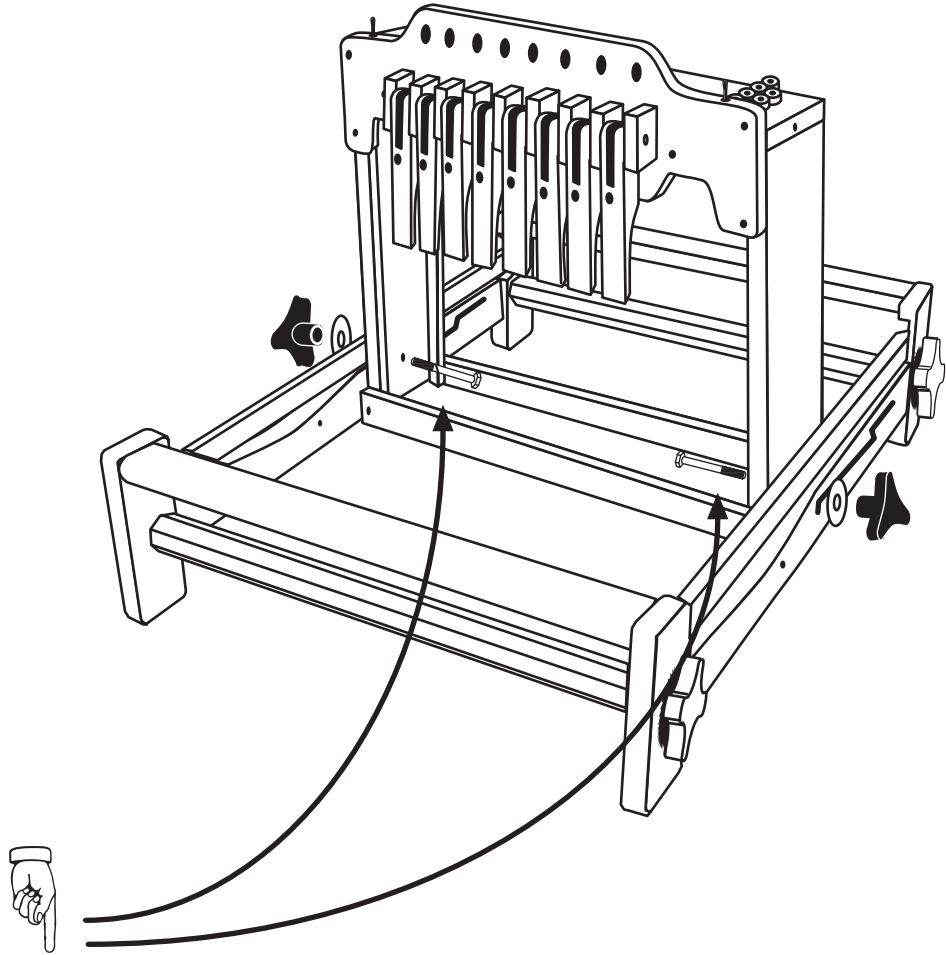
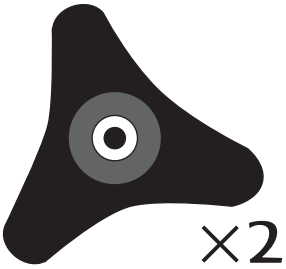
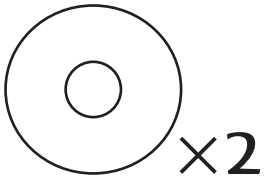
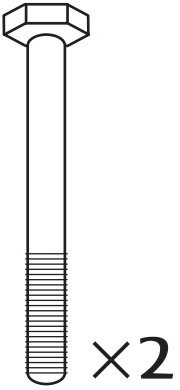
!Check



The Ashford Table Loom Eight shaft

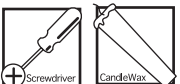
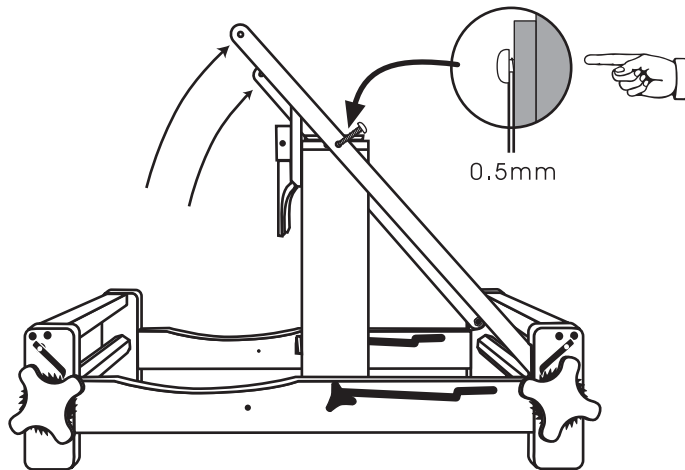
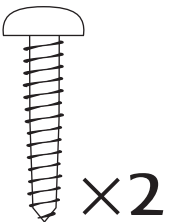
9

!Check



10

!Check



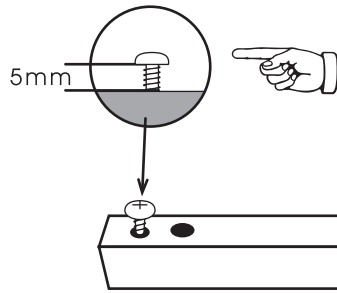
# The Ashford Table Loom Eight shaft

11

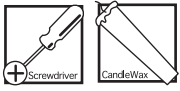
!Check



×16

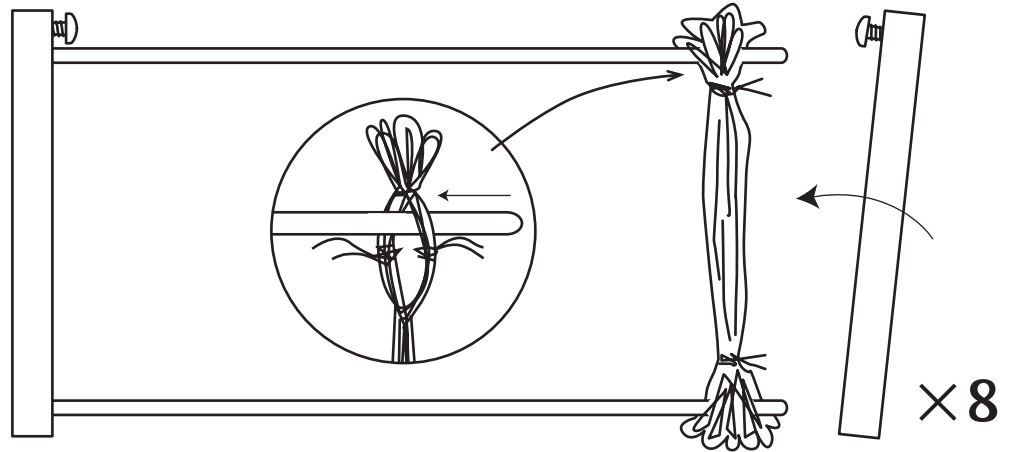


×16



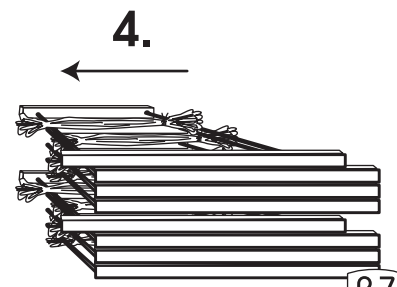
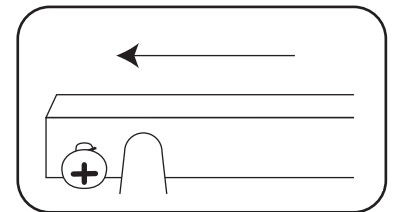
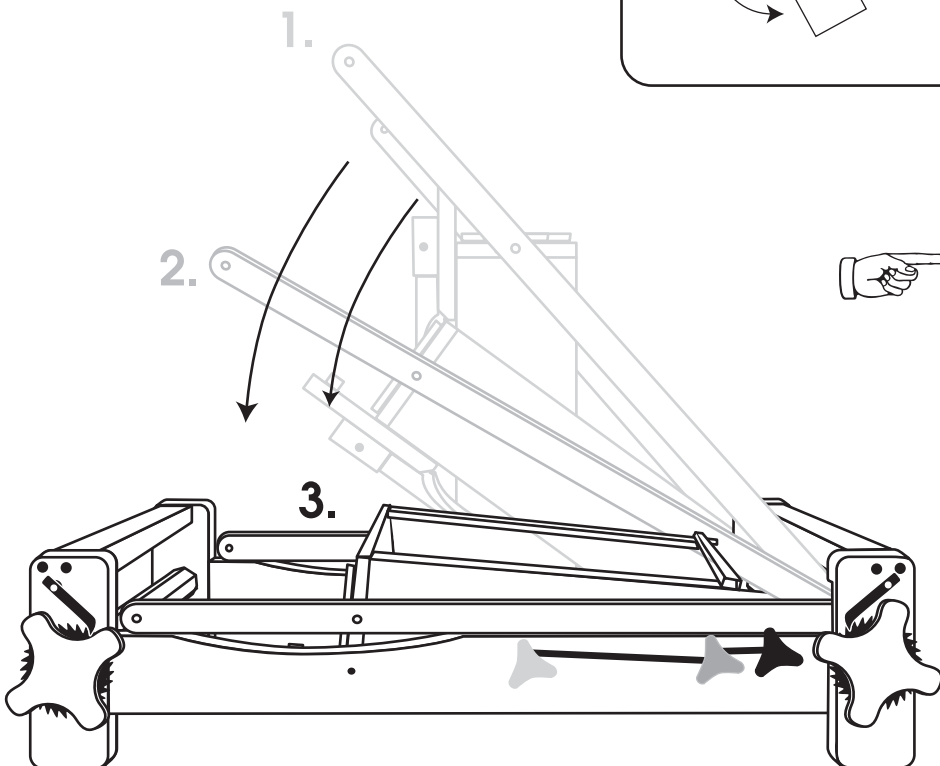
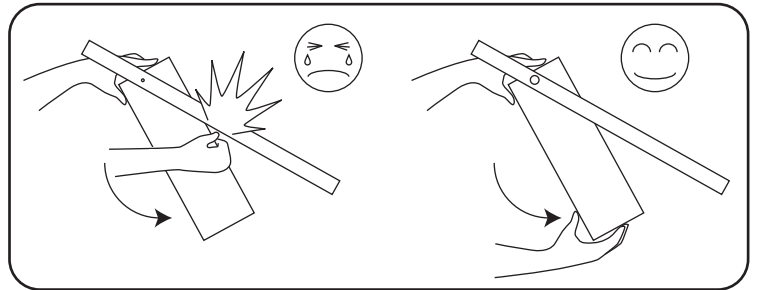
12

!Check



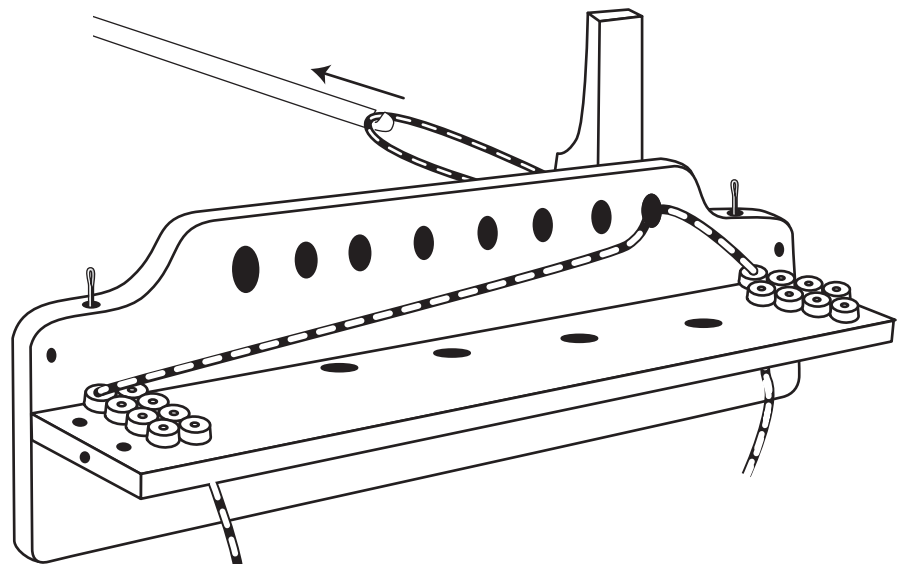
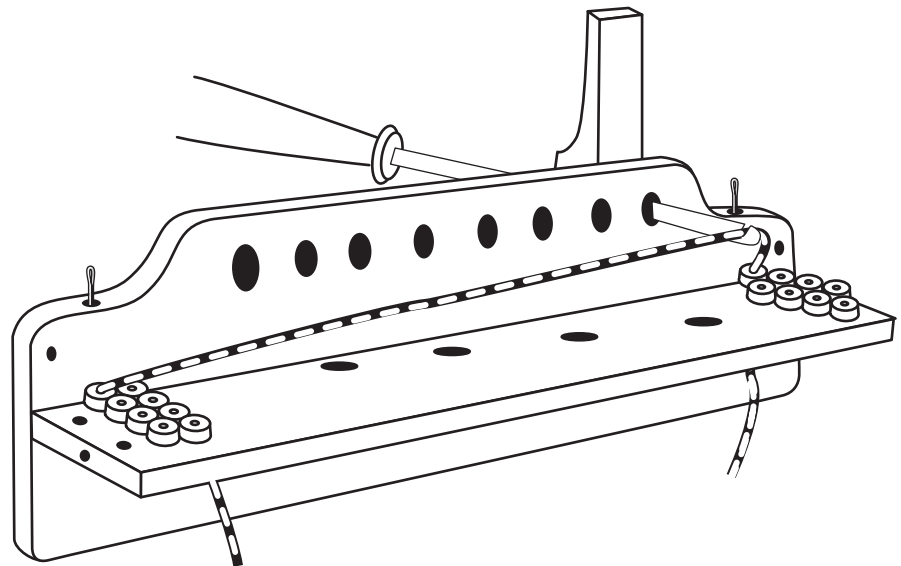
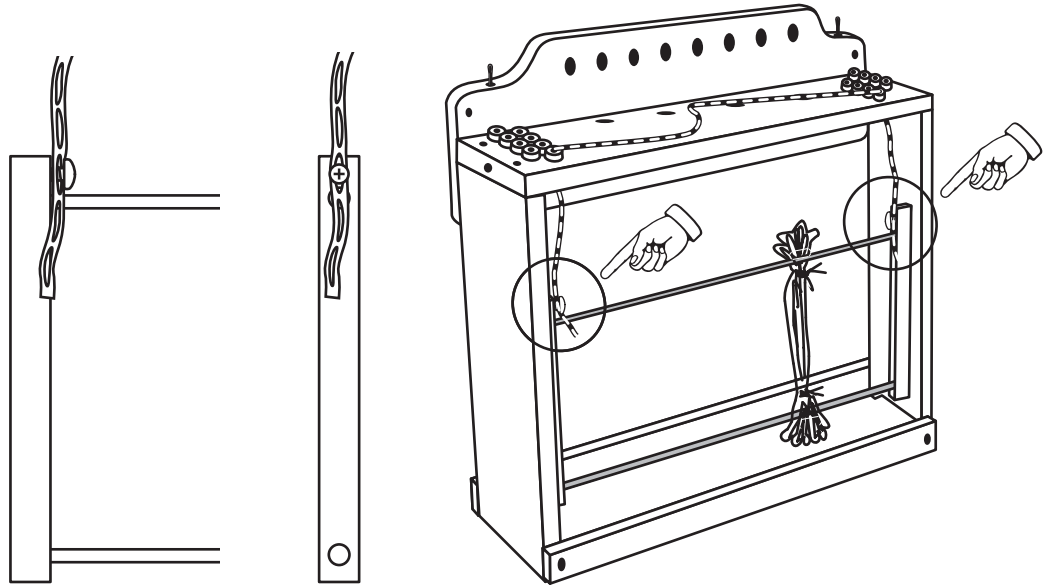
13

!Check



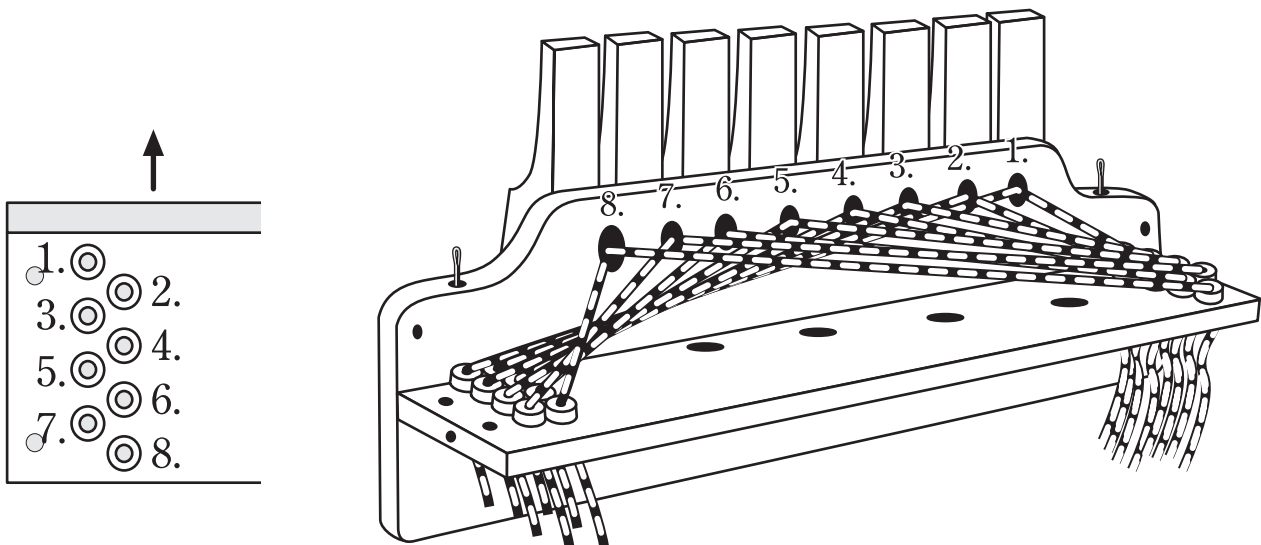
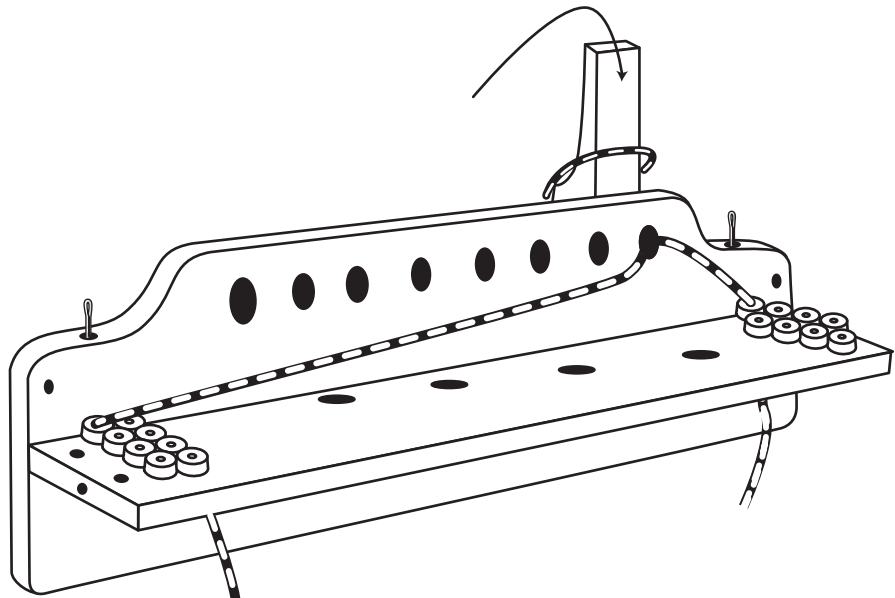
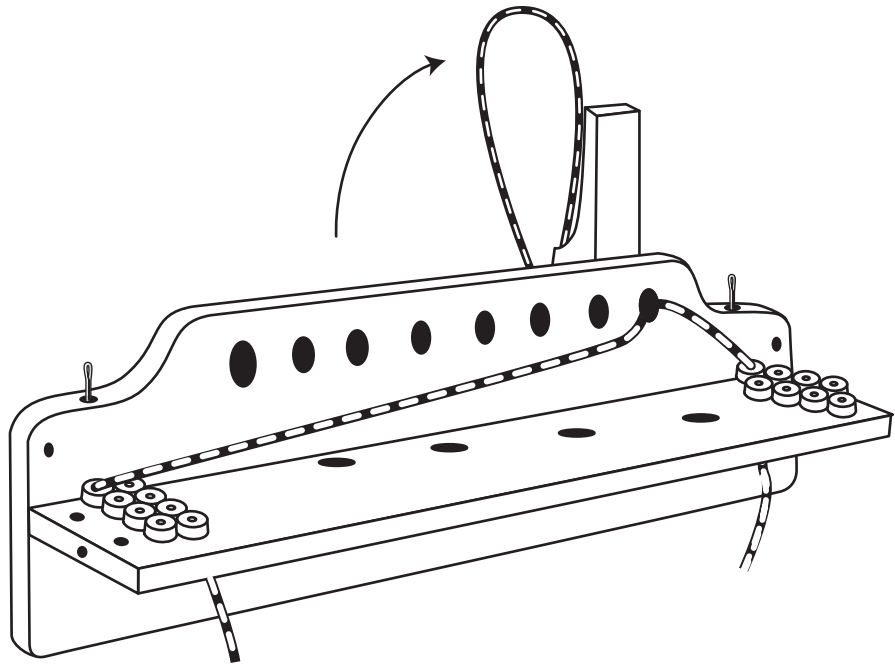
14

!Check





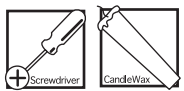
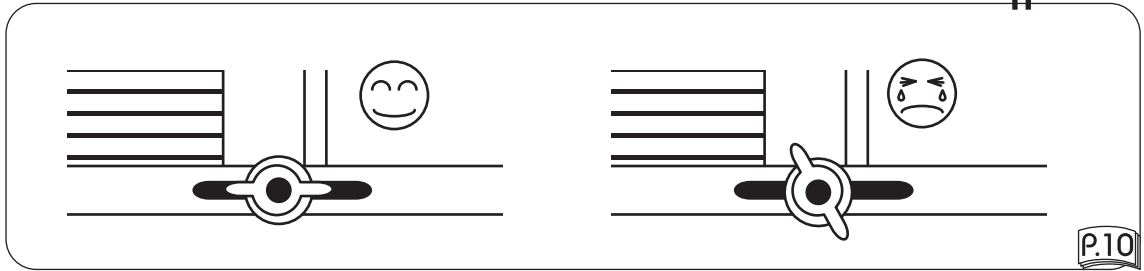
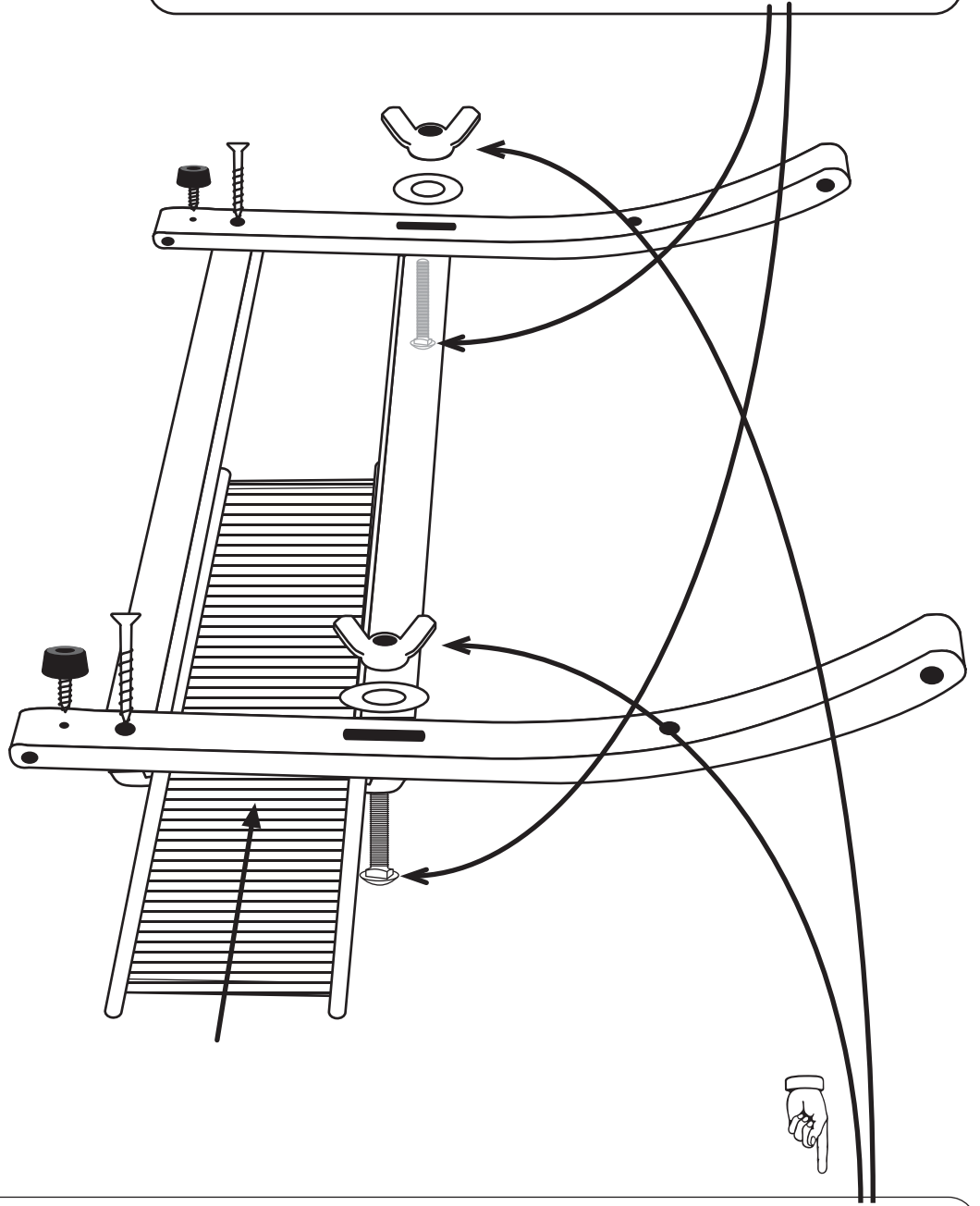
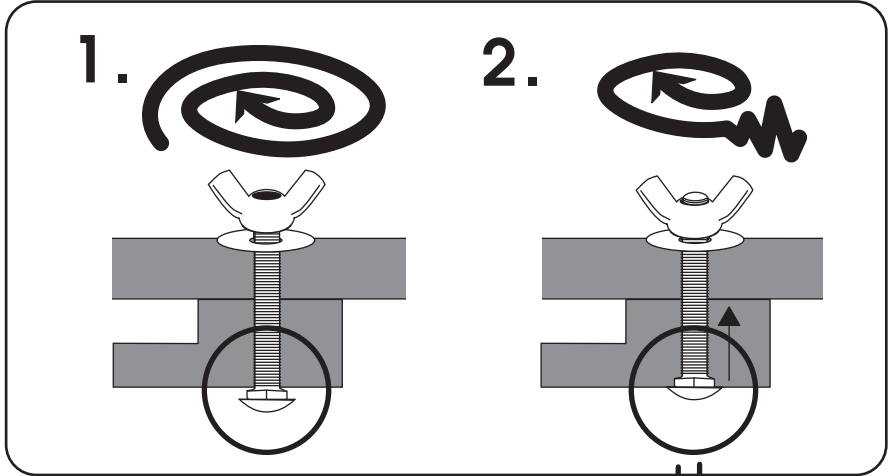
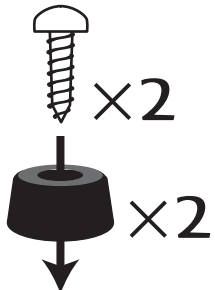
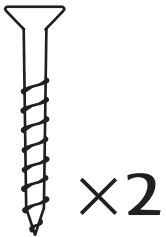
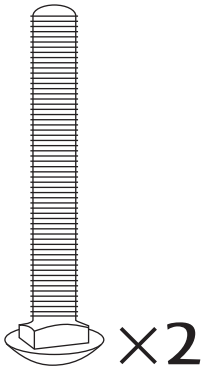
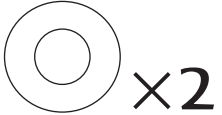
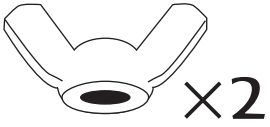
# The Ashford Table Loom Eight shaft



The Ashford Table Loom Eight shaft

15

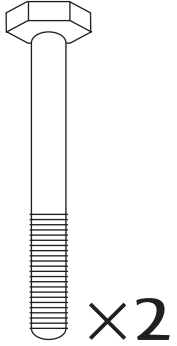
!Check



The Ashford Table Loom Eight shaft

16

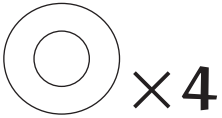
!Check



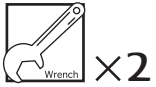
x2



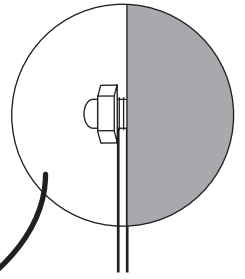
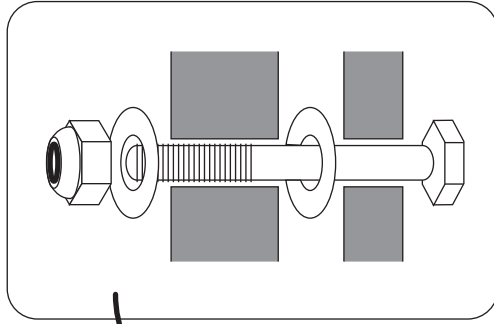
x2



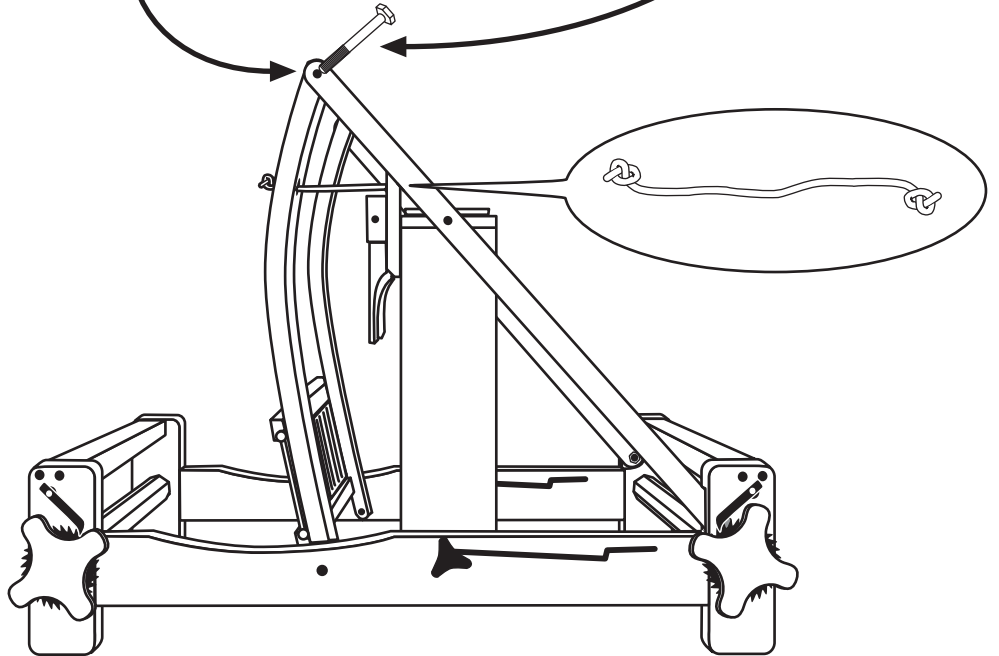
x4



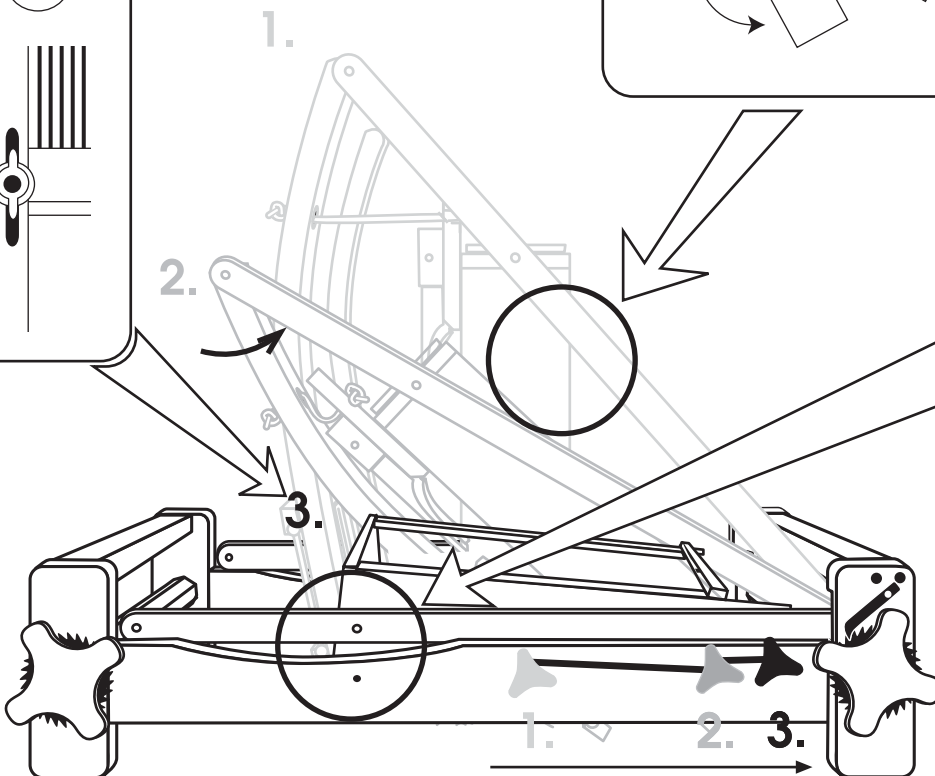
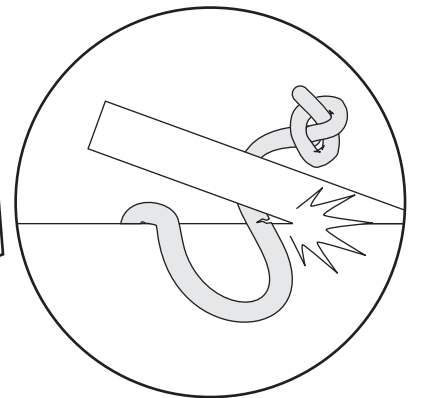
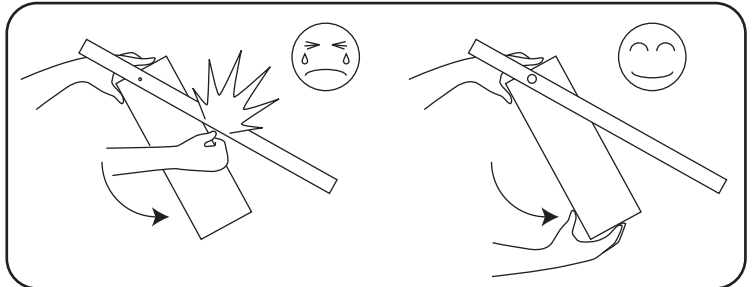
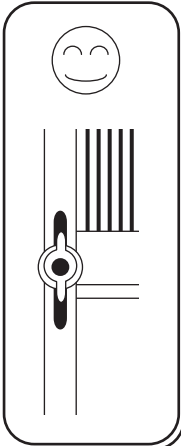
x2



0.5mm



Folding check points.



# Real scale hardware list for Table Loom

