

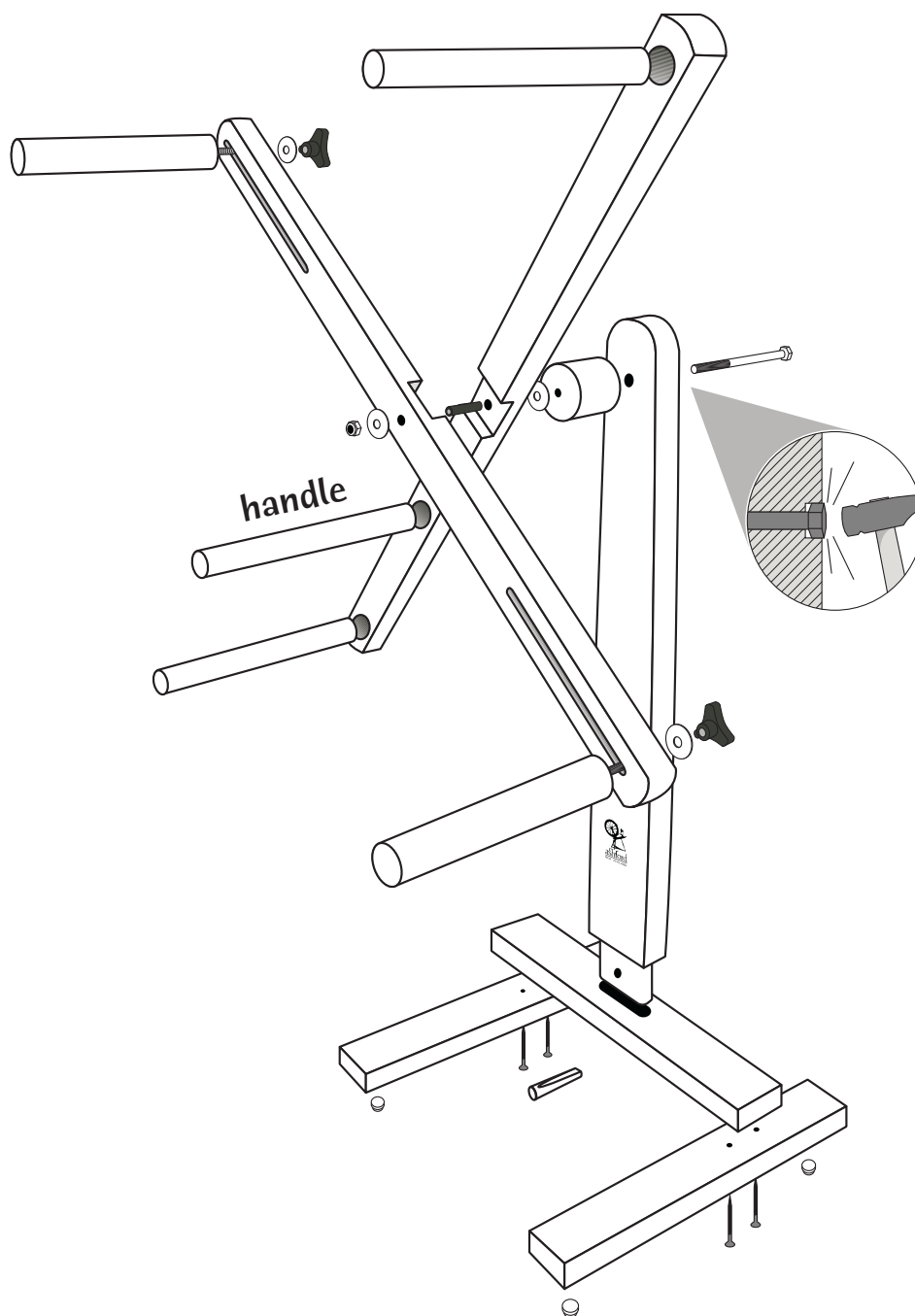
Assembly Instructions For The Ashford Kiwi Skein Holder & Base

Tools Required:
Screwdriver ⊕, Hammer.

Assembly.

Take the crossbar with 3 holes.

Apply a little glue to each hole and push the pegs in (hammer if necessary) Assemble the rest of the skeiner using all the hardware.



Finishing the wood:

We recommend the kiln dried silver beech timber be first sanded smooth and the corners removed using the enclosed sandpaper then sealed before assembly. This protects it from climatic changes and staining and enhances its character and beauty. Our natural Ashford Wax Finish is ideal for this purpose.

Skeiner use:

You can wind skeins of yarn directly from the spinning wheel bobbin.

After washing, place the skeins on the skeiner and wind onto your shuttle (weavers) or ball winder (knitters). The adjustable pegs allow for different sized hanks.

Your skeiner has been designed so you can easily take it apart for storage.

