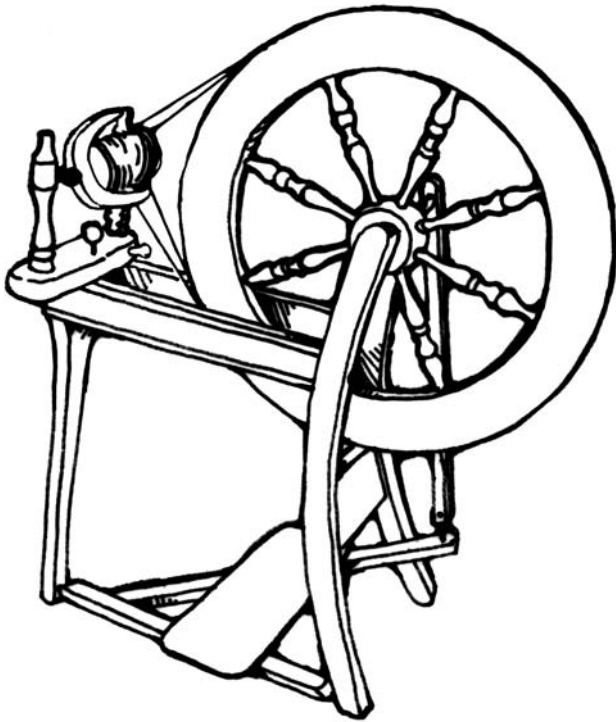
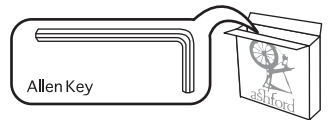
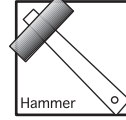


ASSEMBLY INSTRUCTIONS FOR THE ASHFORD TRADITIONAL SPINNING WHEEL

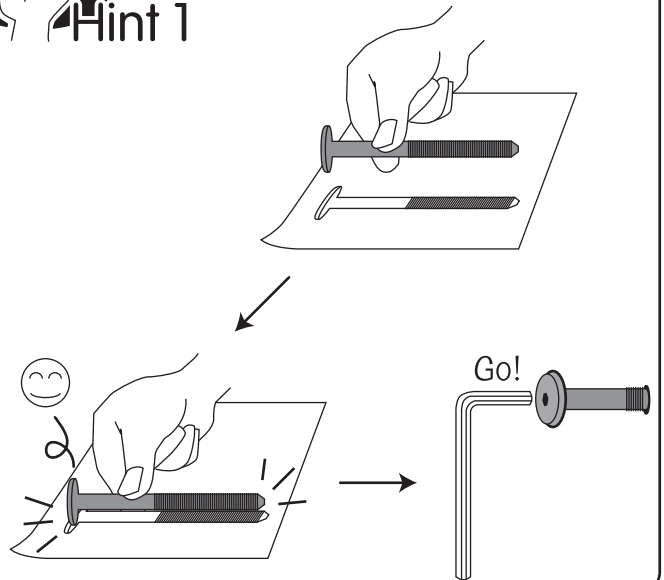
- Double Drive -



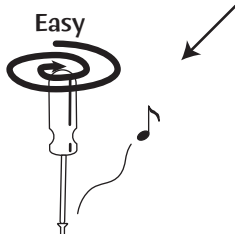
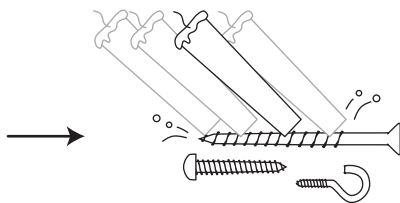
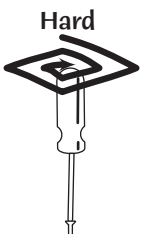
TOOLS



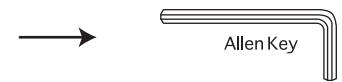
Hint 1

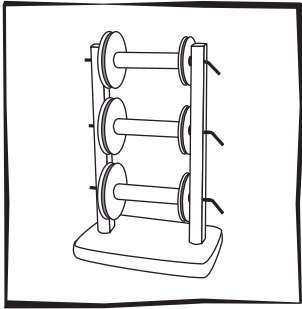


Hint 2

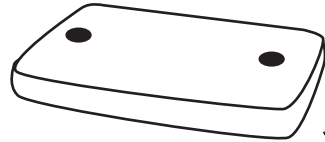
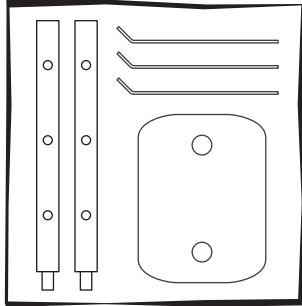


Hint 3

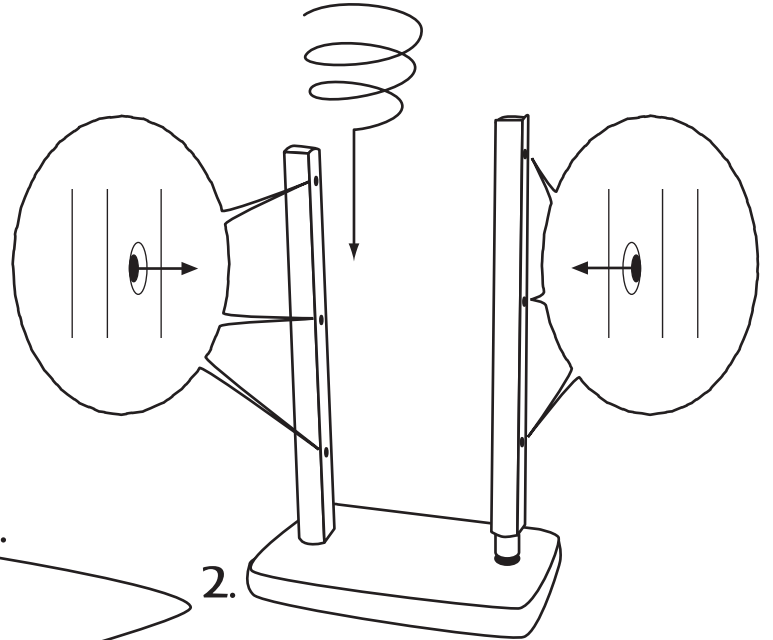




1

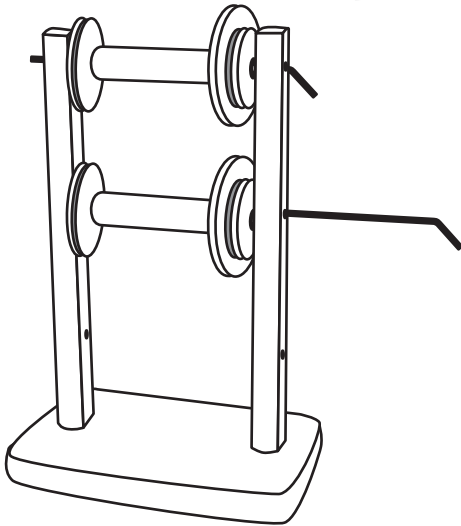


1.

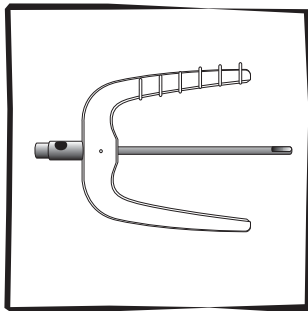
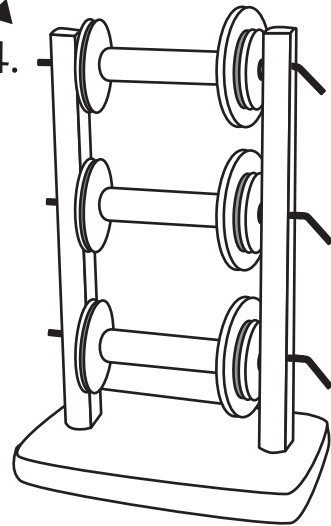


2.

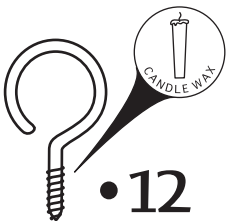
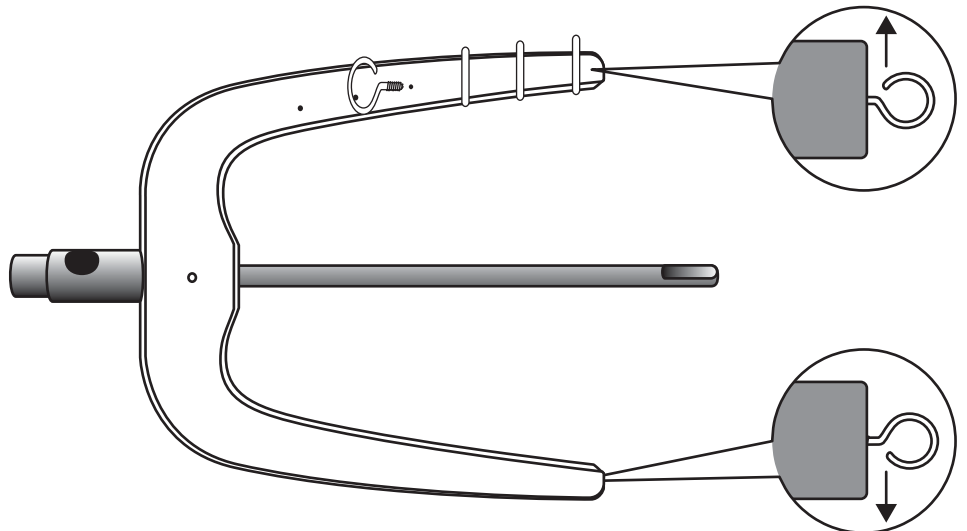
3.



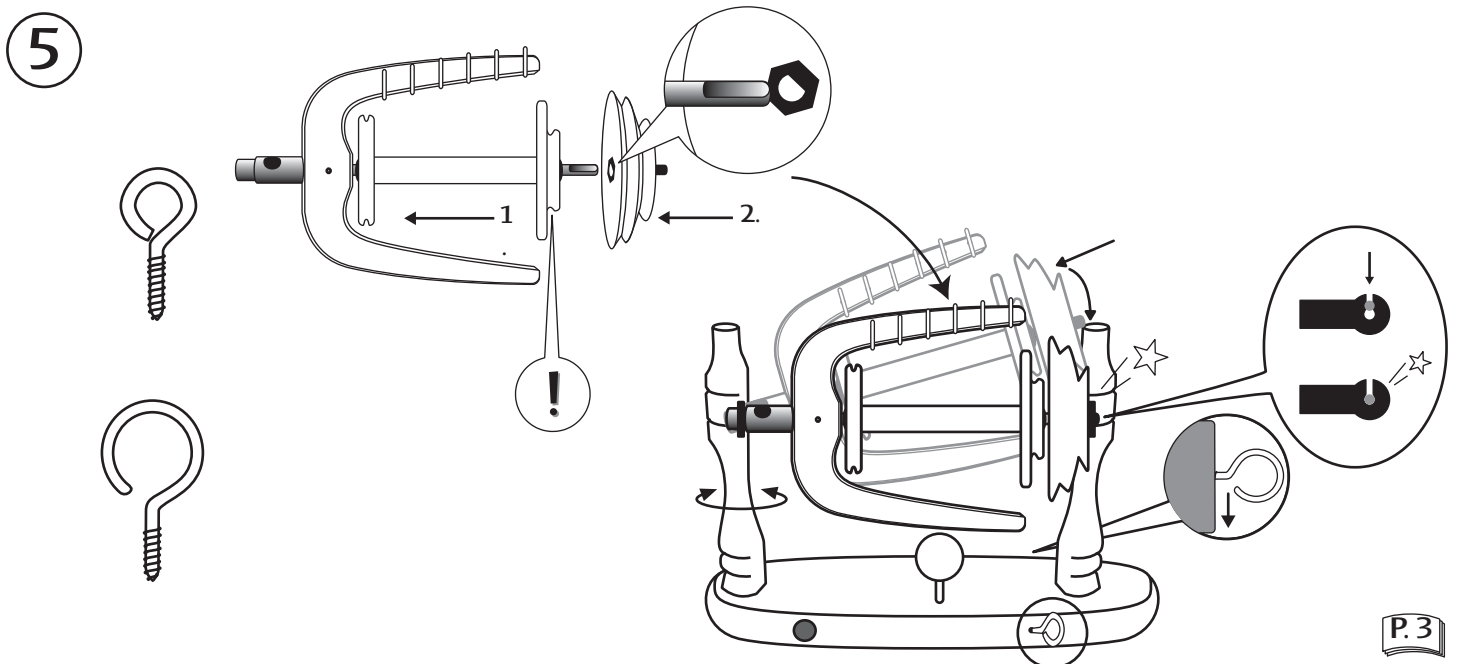
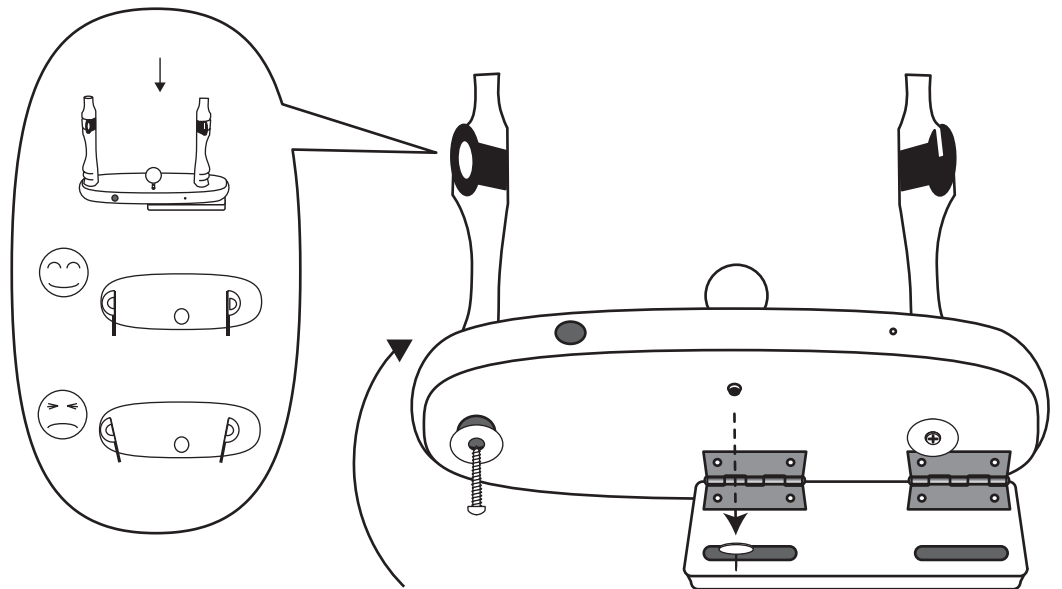
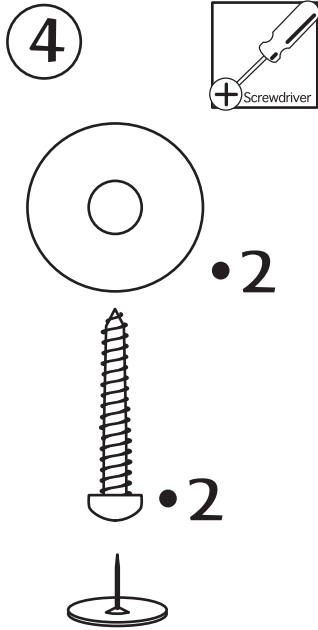
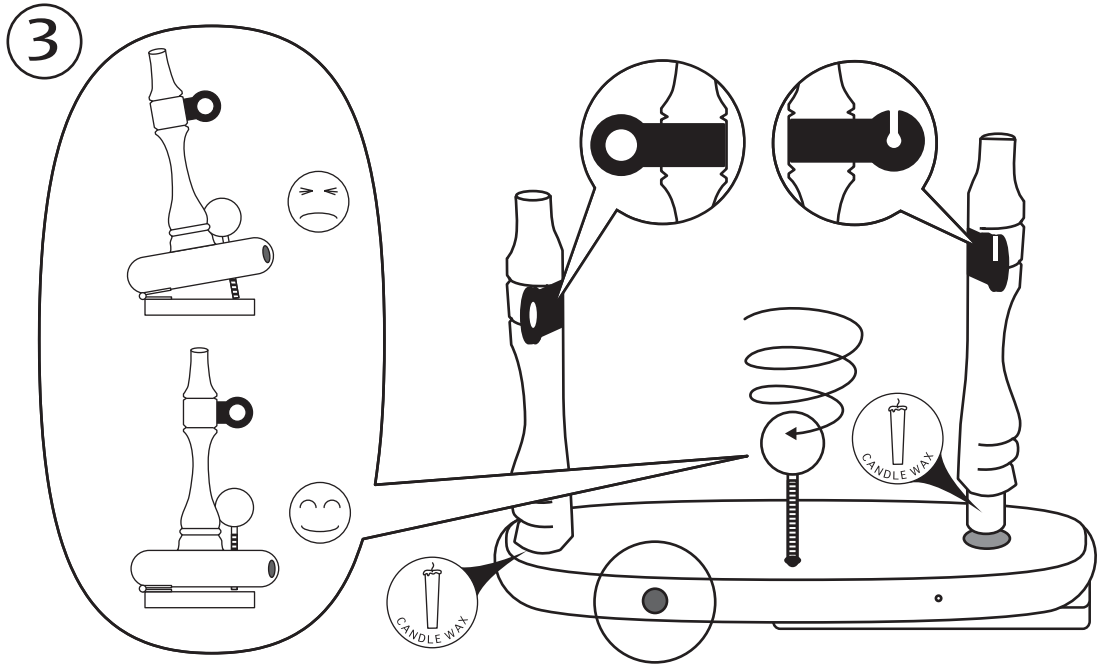
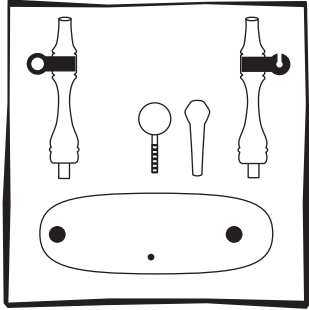
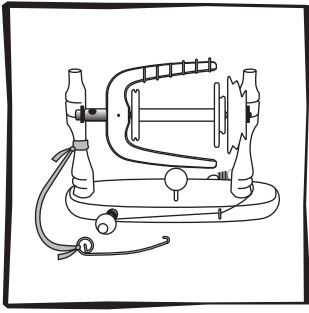
4.



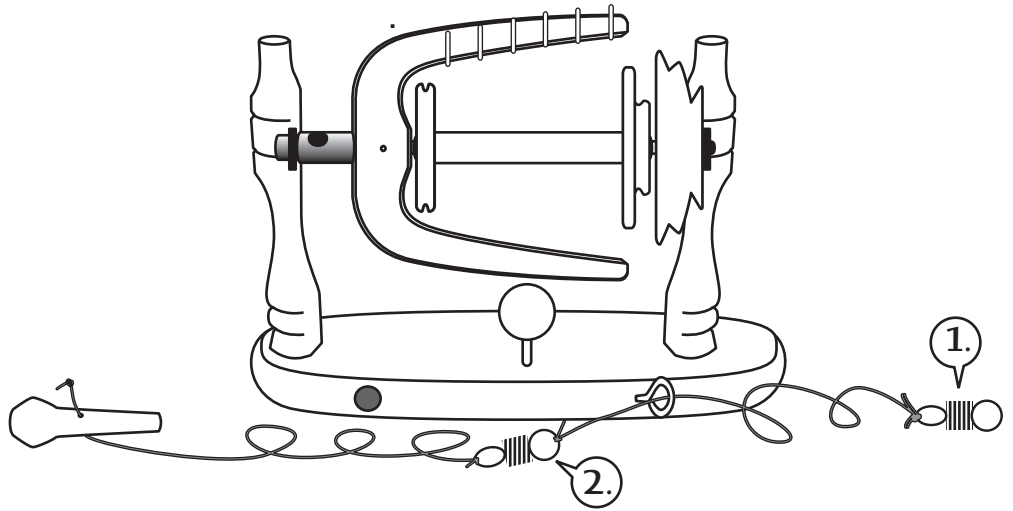
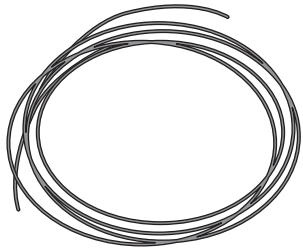
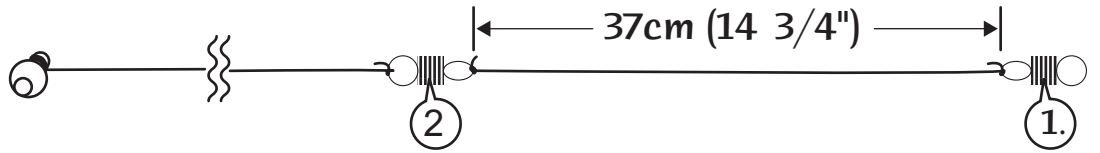
2



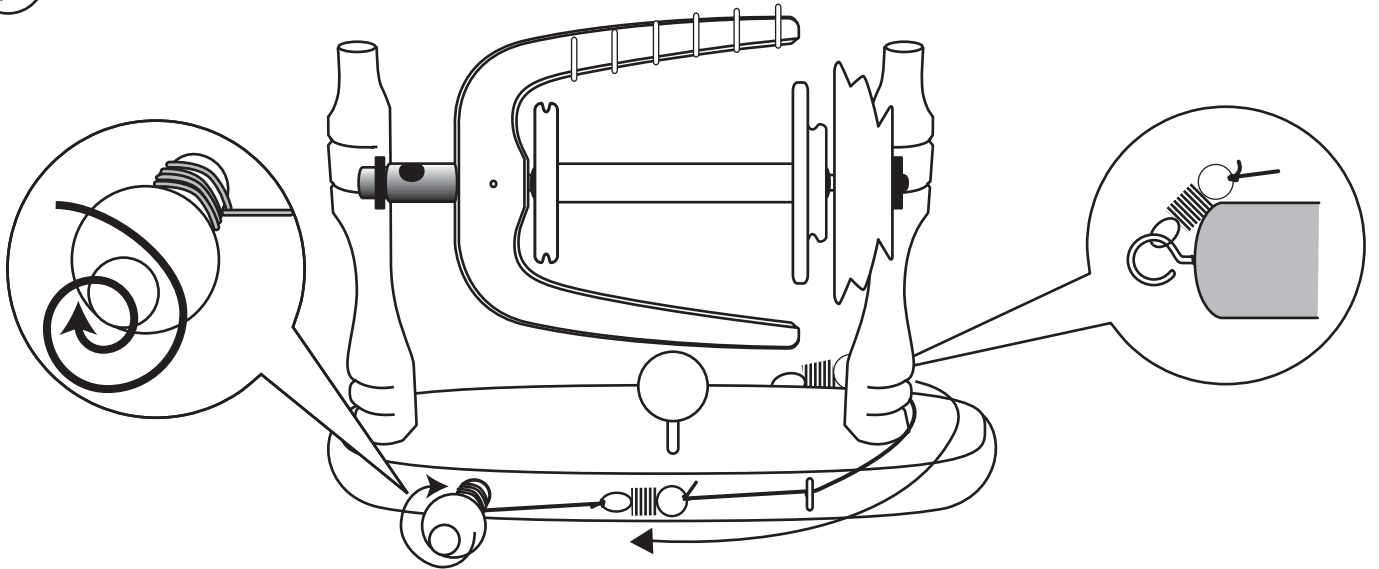
• 12



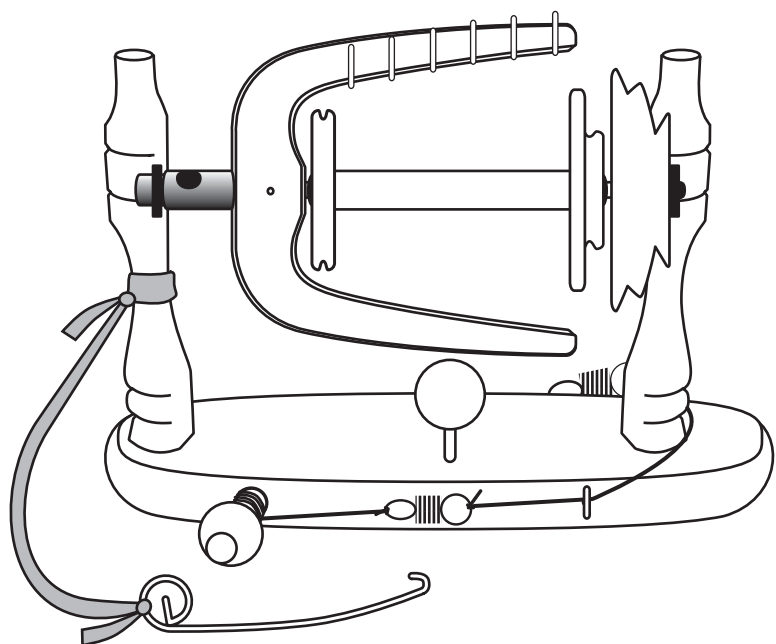
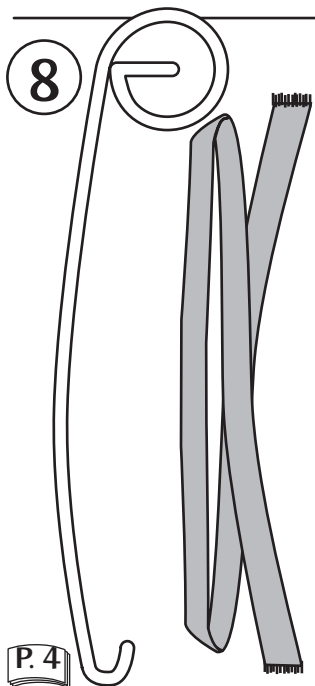
6

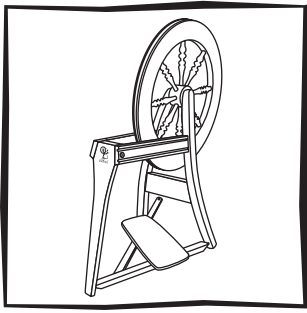


7

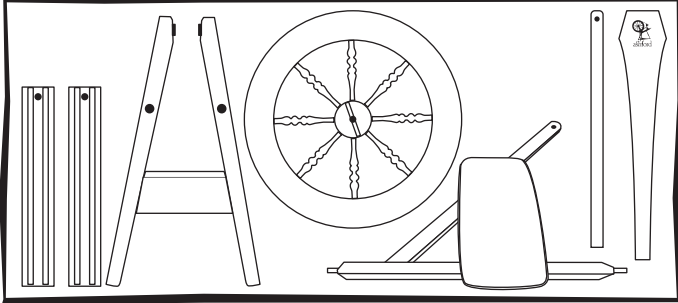
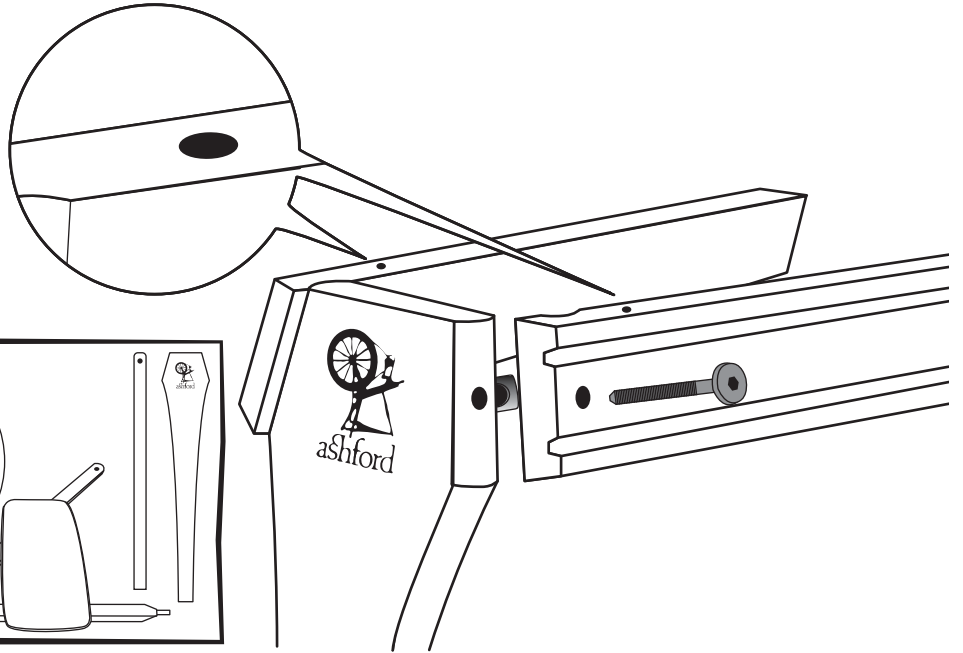


8

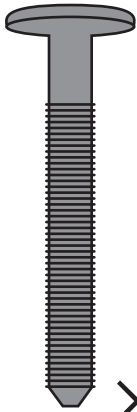




9



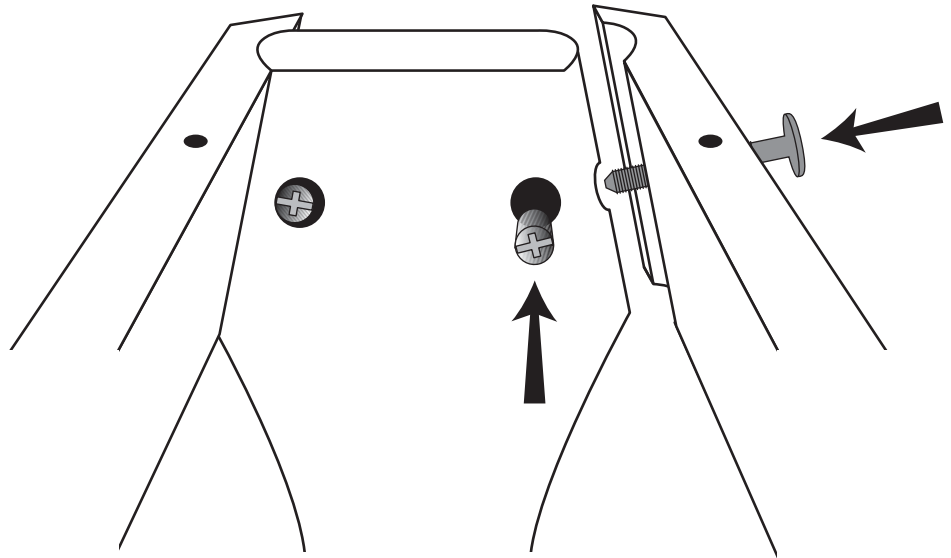
10 Allen Key



X2

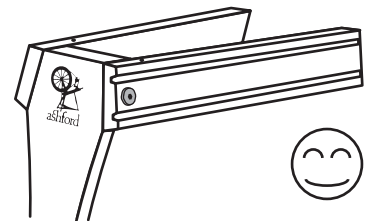
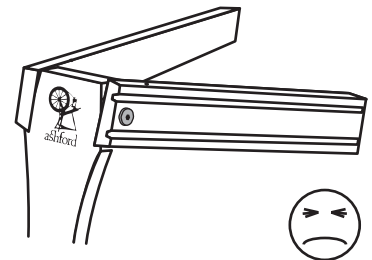
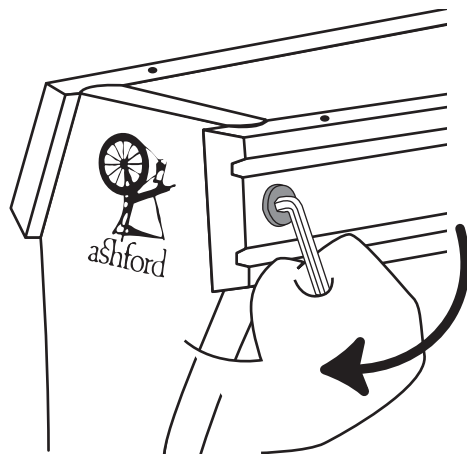


X2

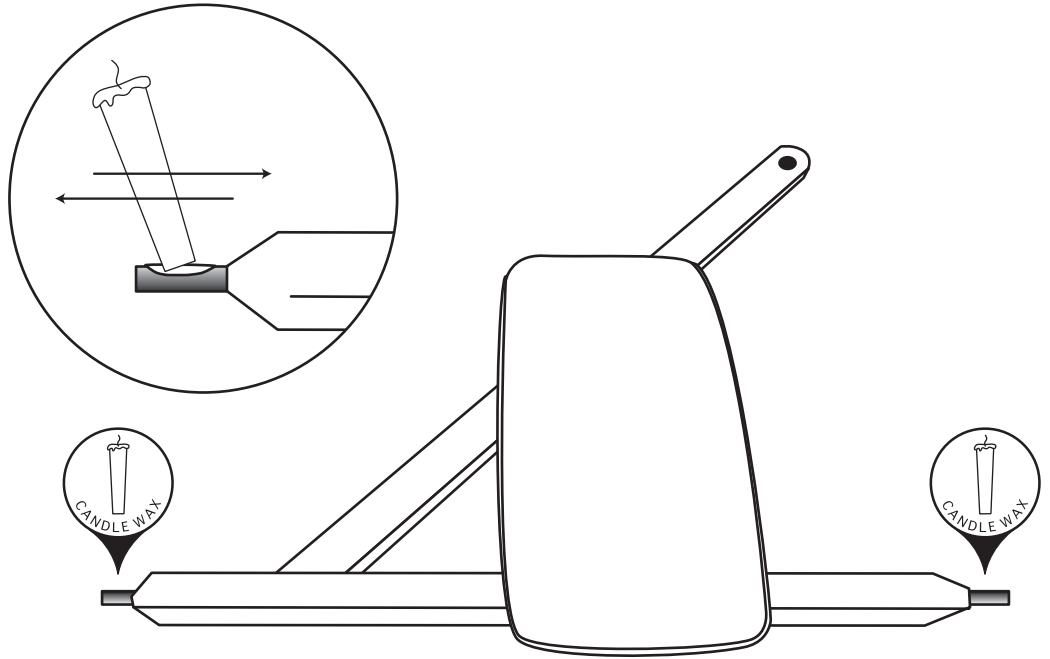


11

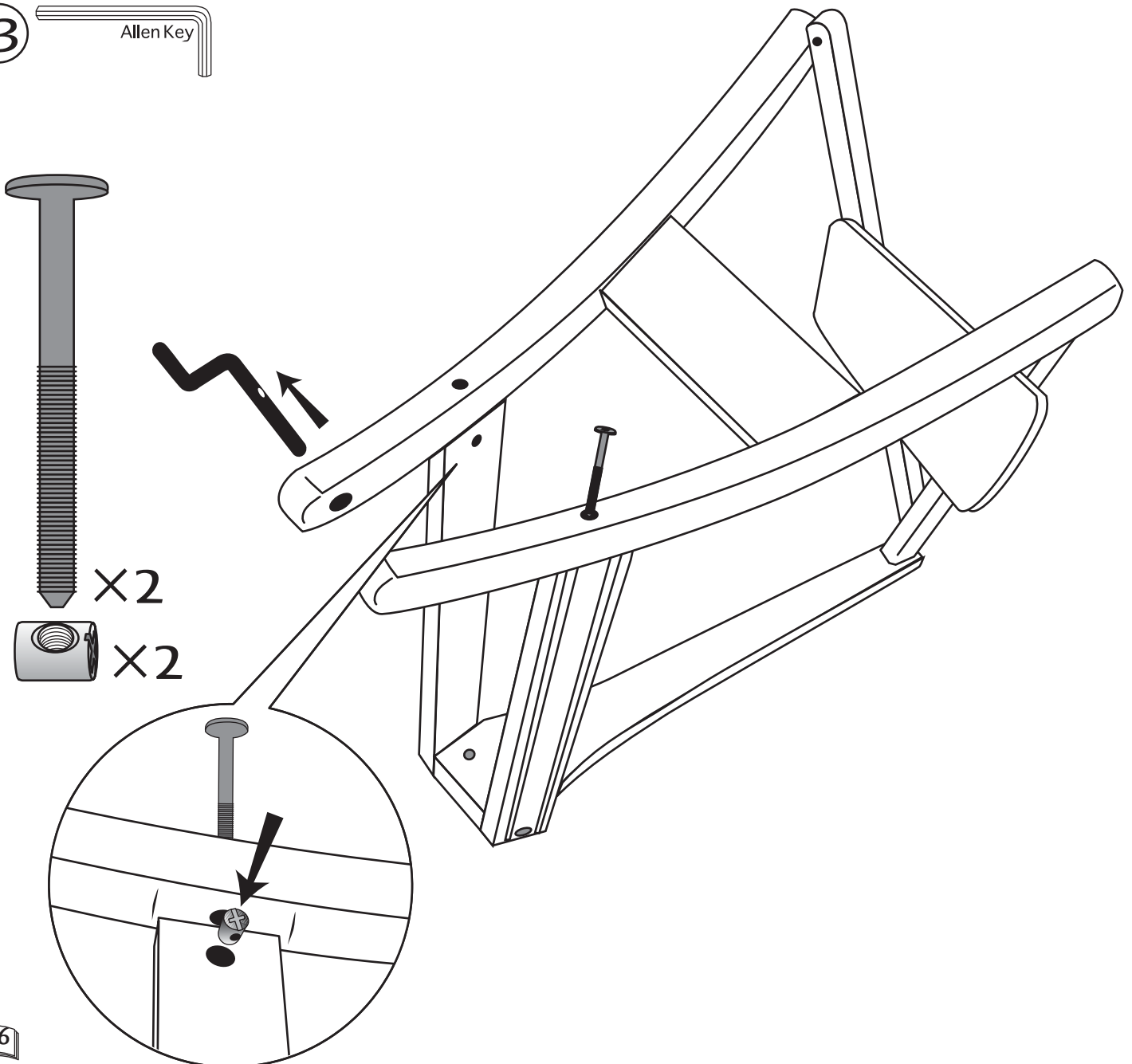
!Check



12

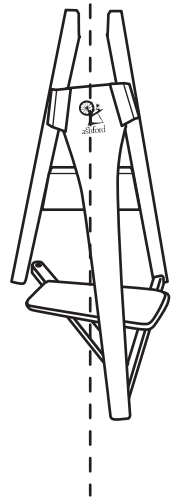
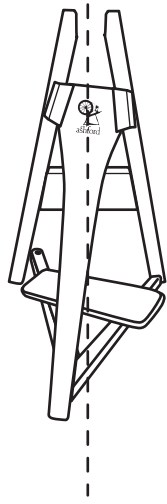


13



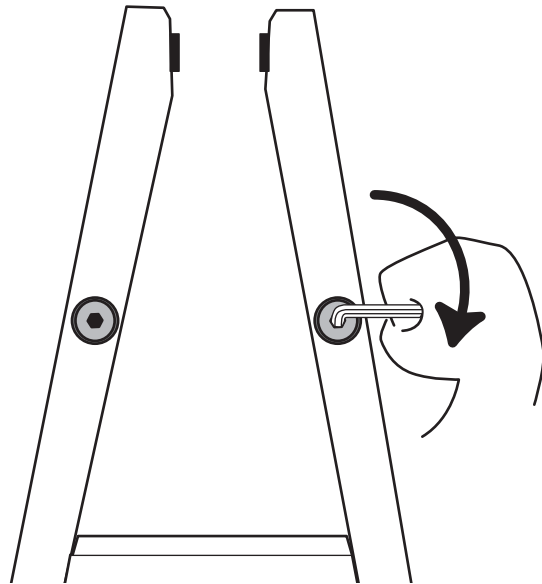
14

!Check

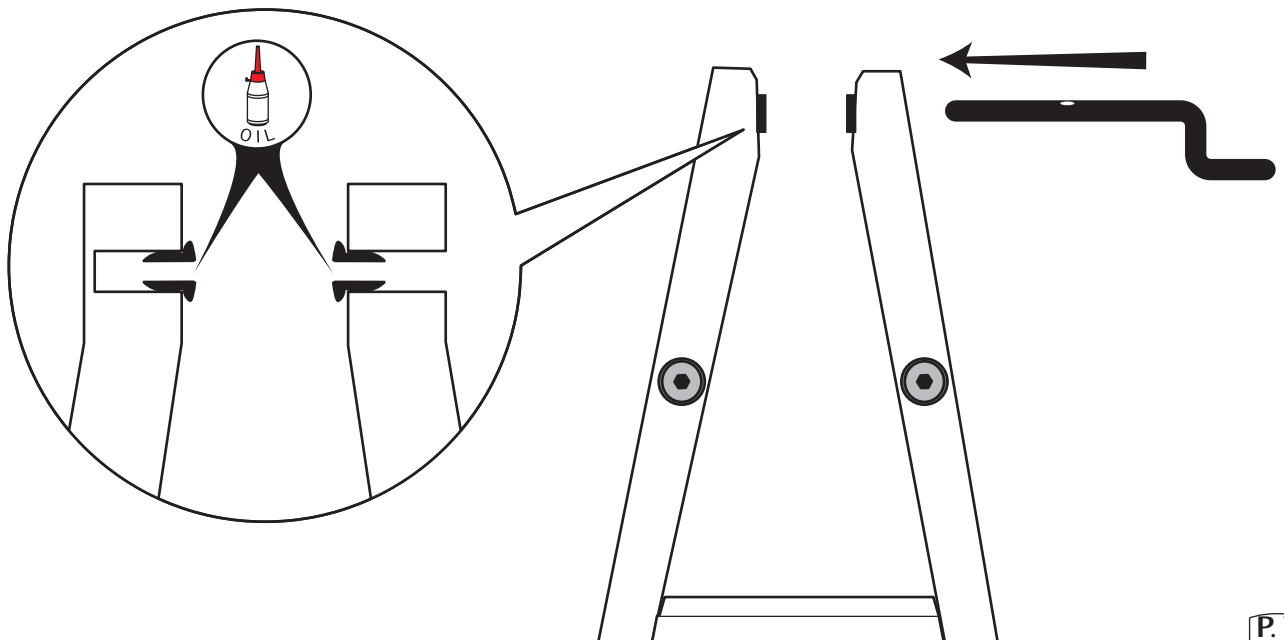


15

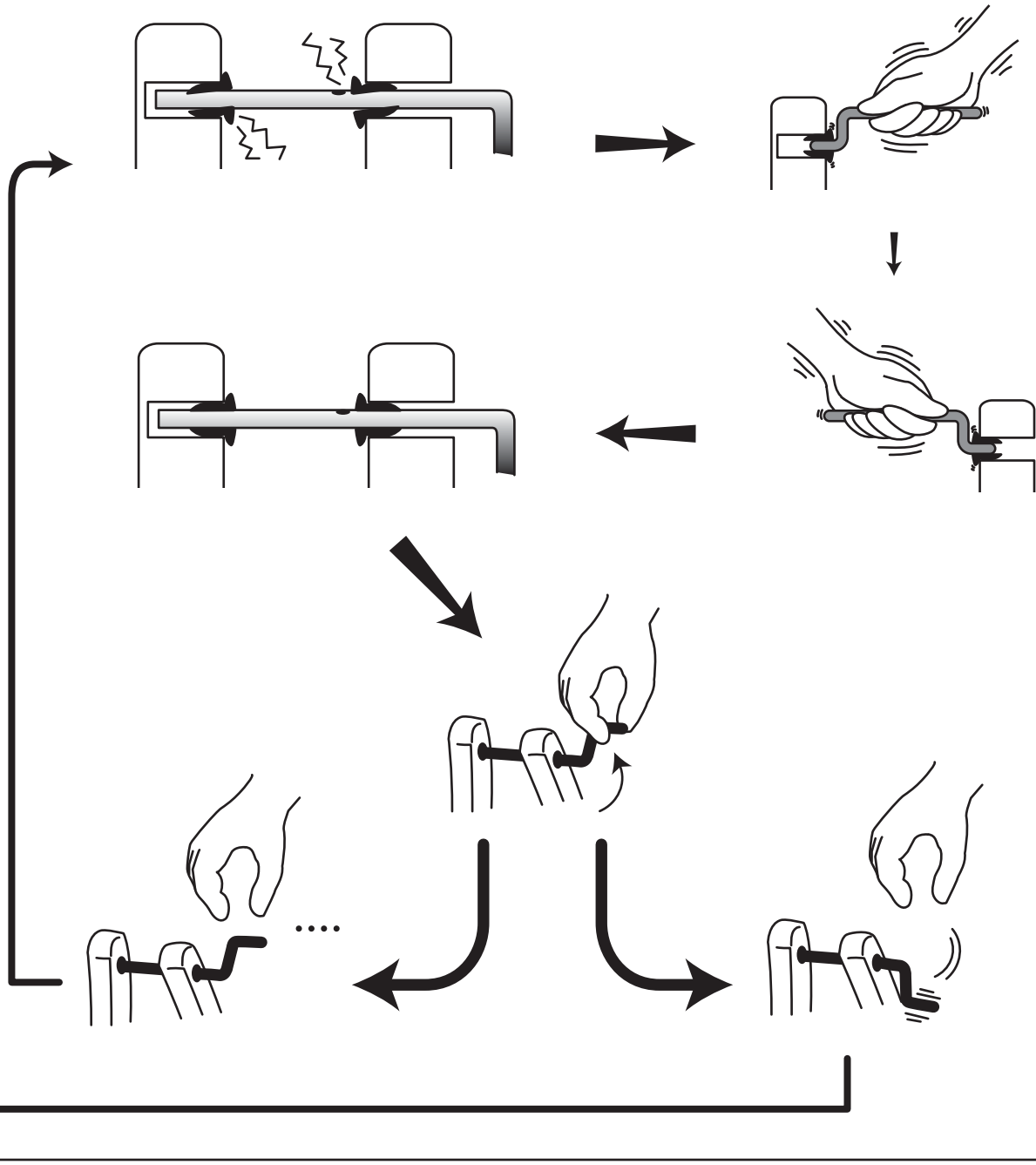
Allen Key



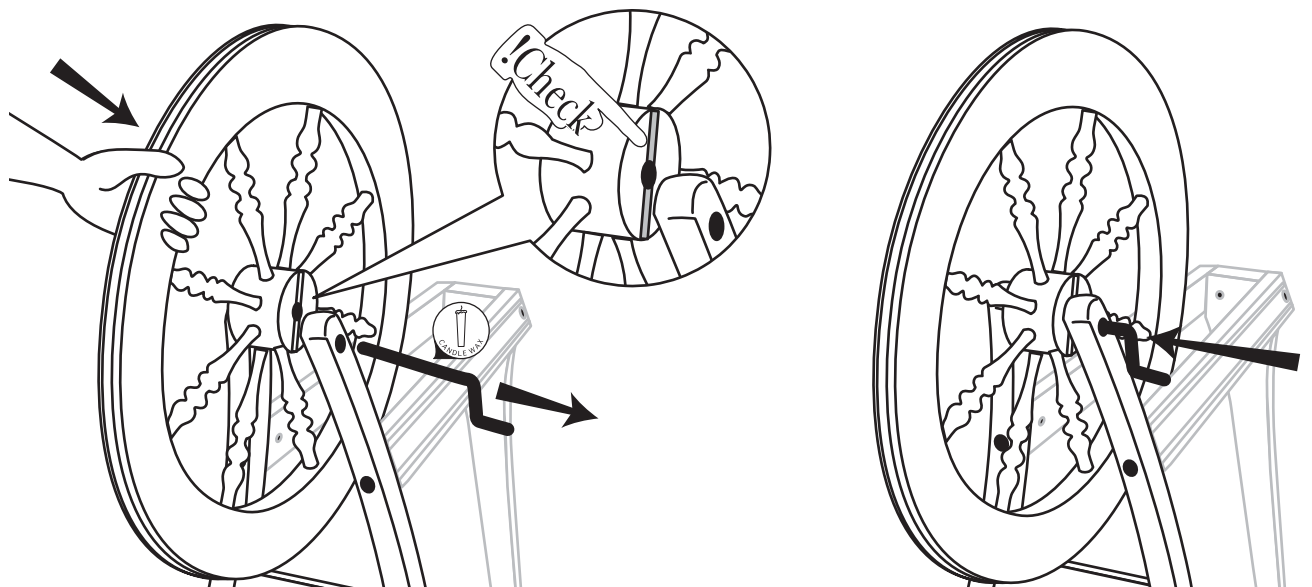
16



17

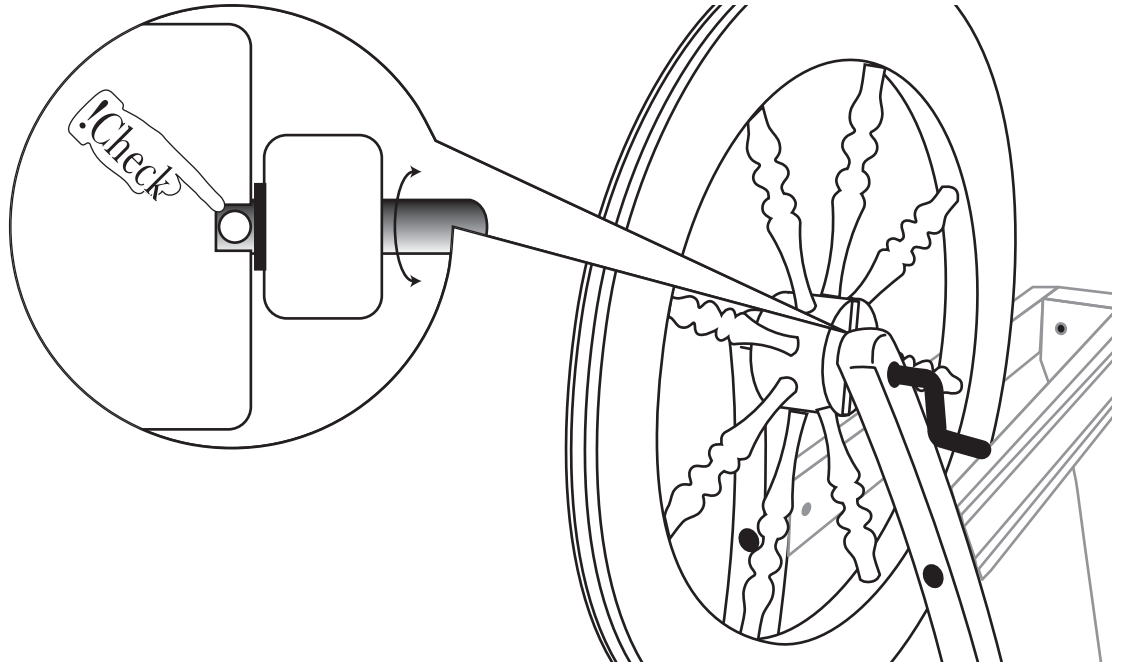


18

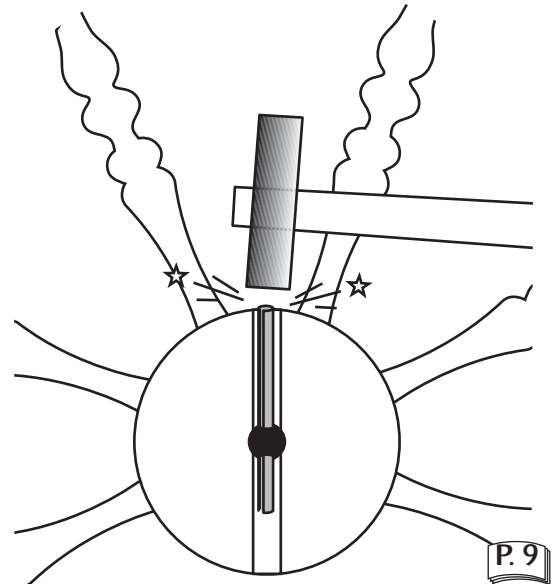
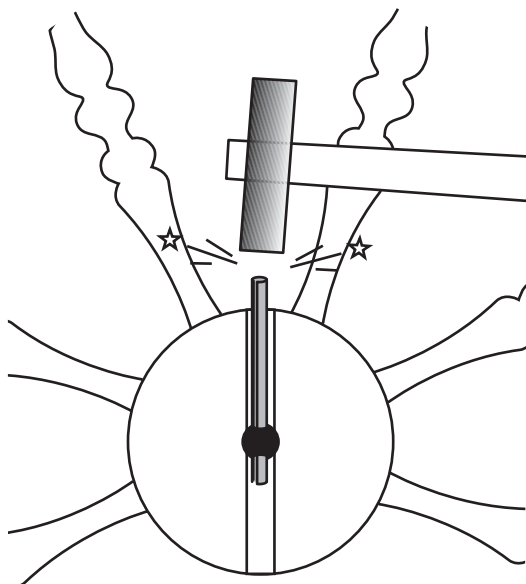
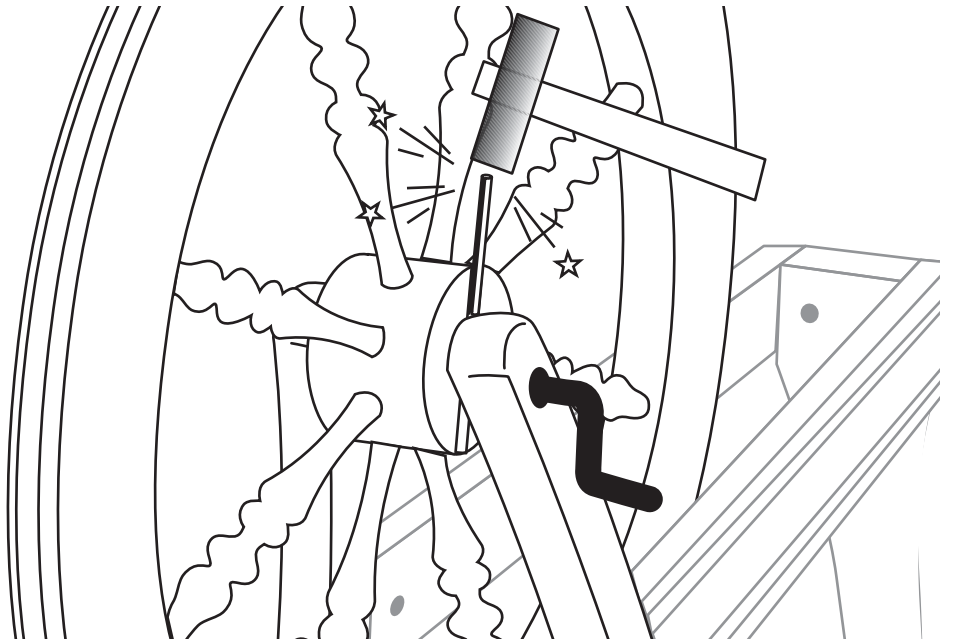
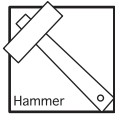


19

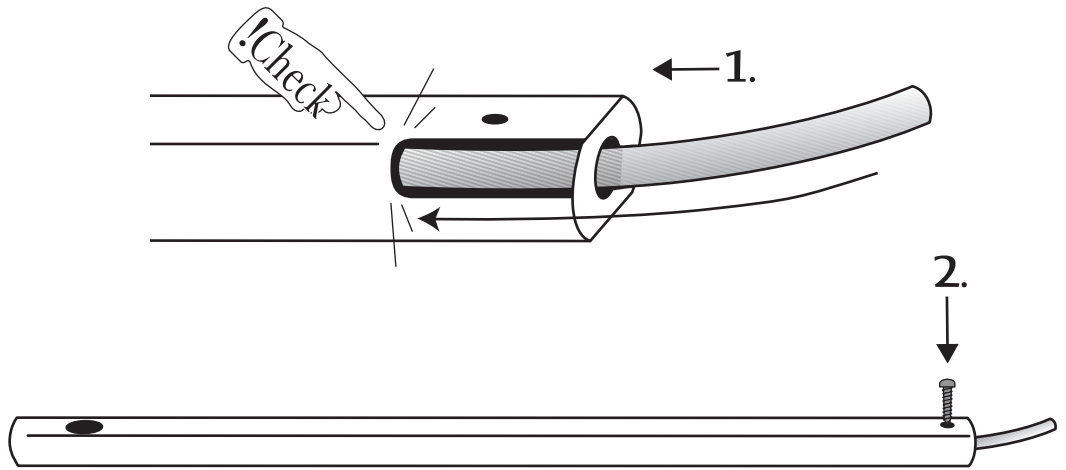
!Check



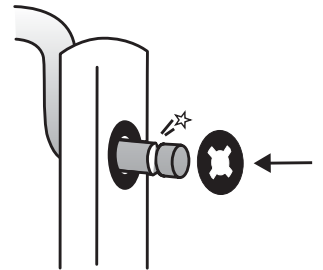
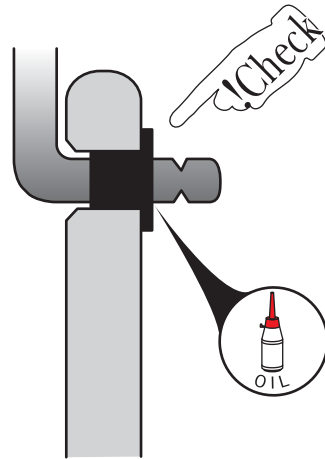
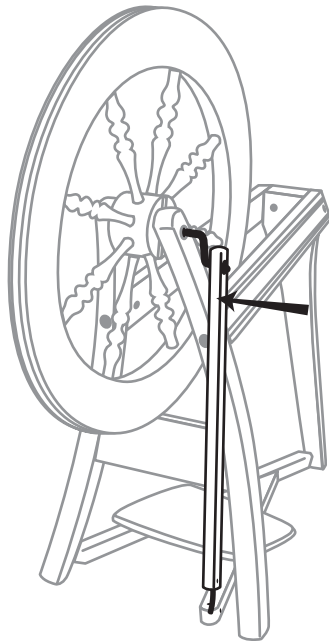
20



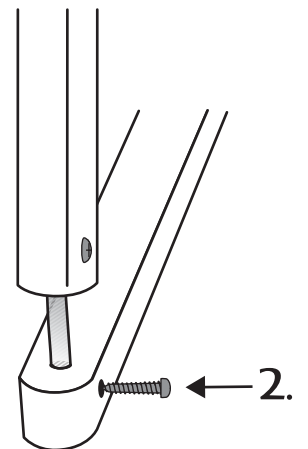
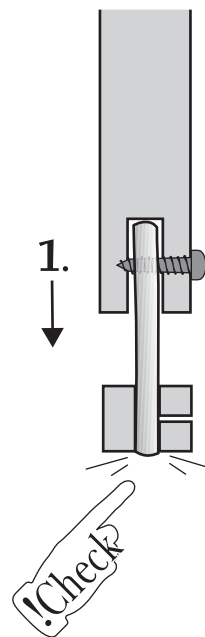
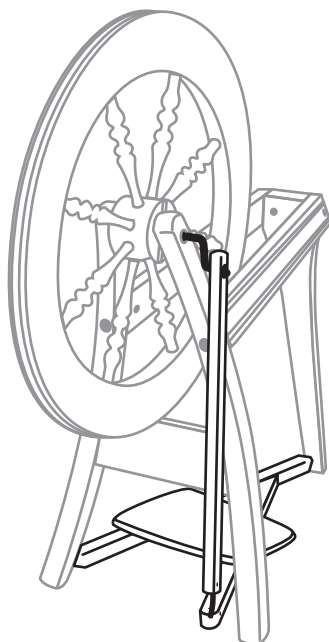
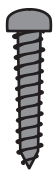
21

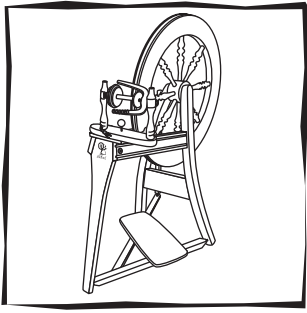


22

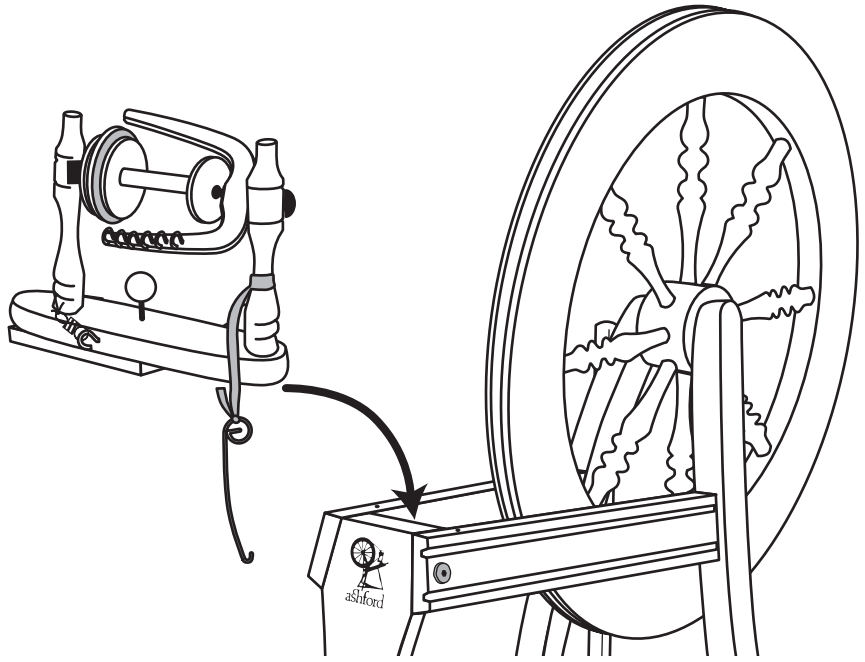


23

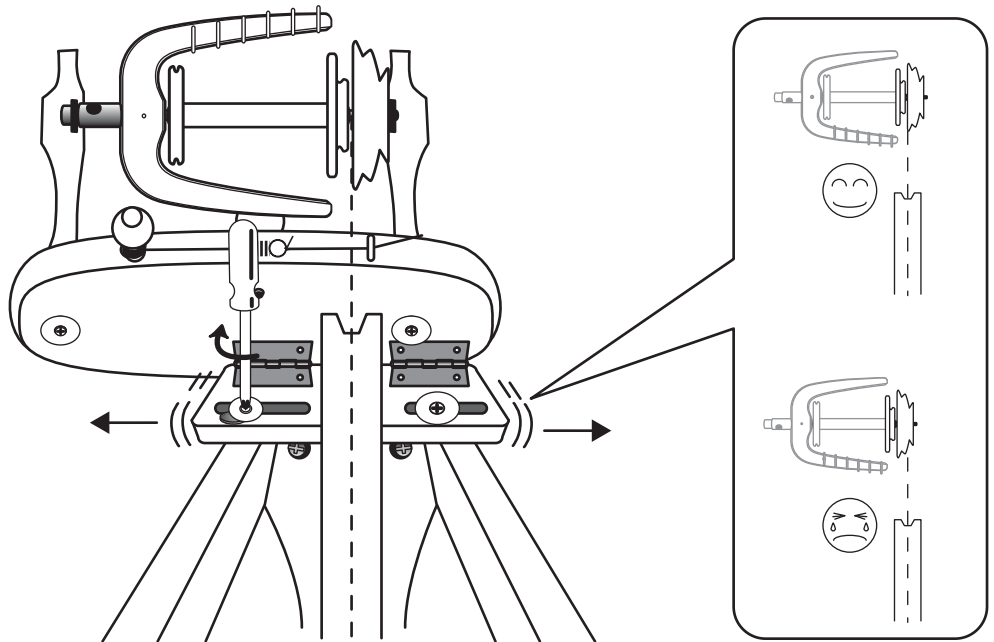
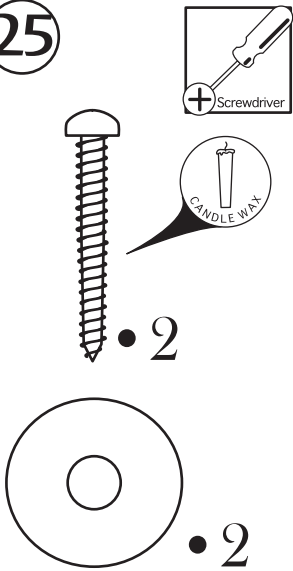




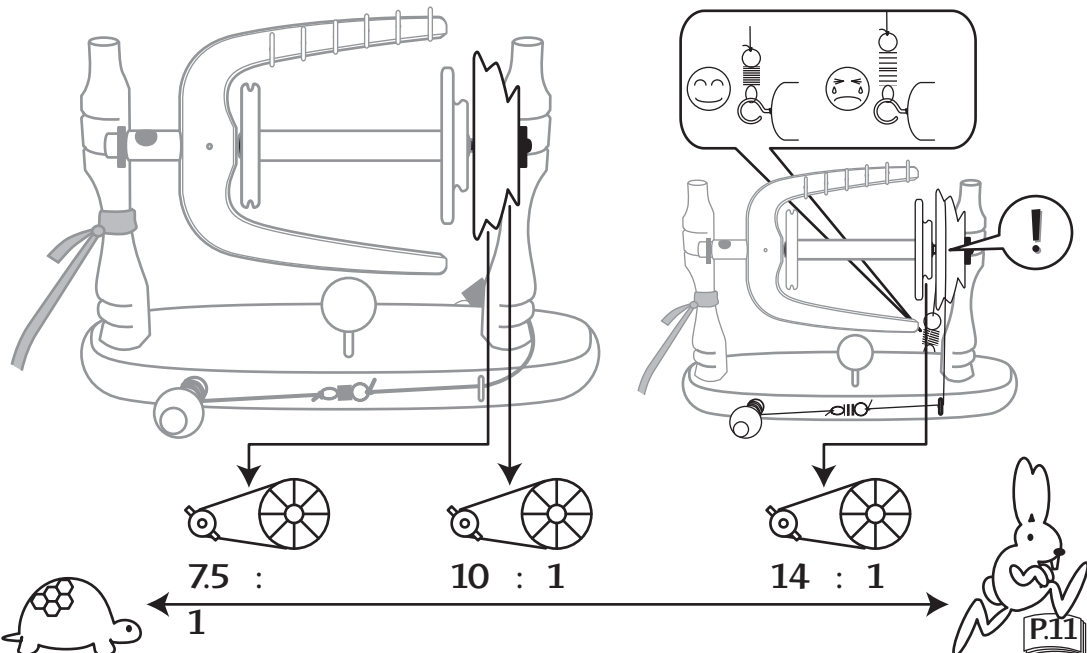
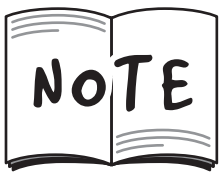
24



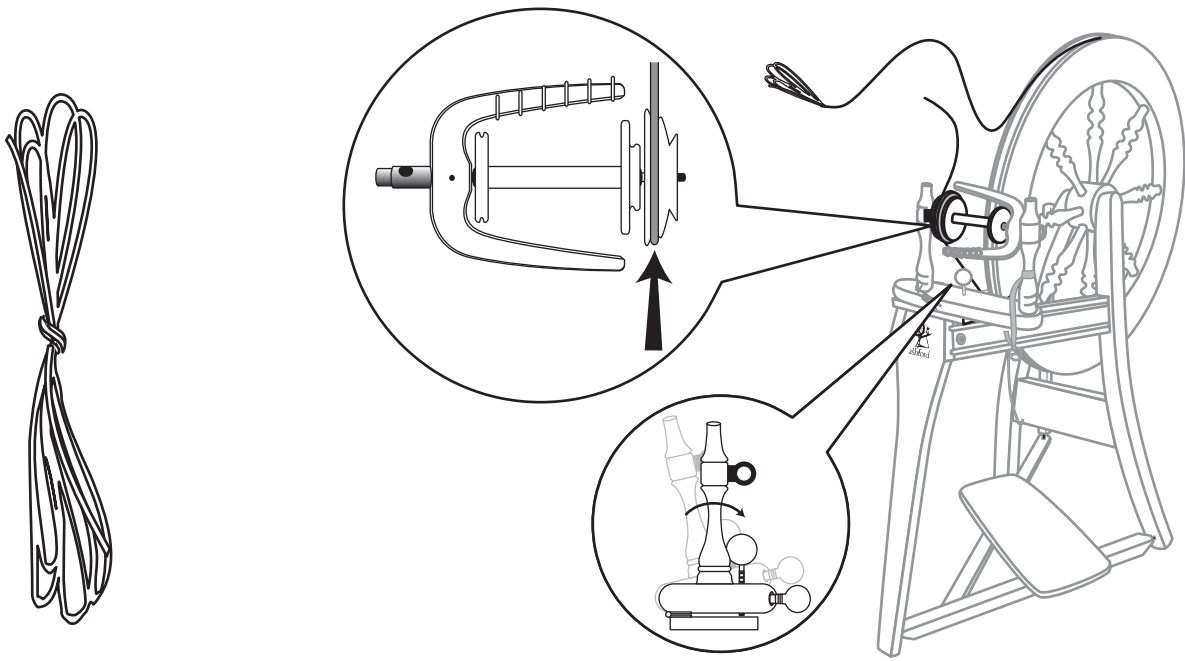
25



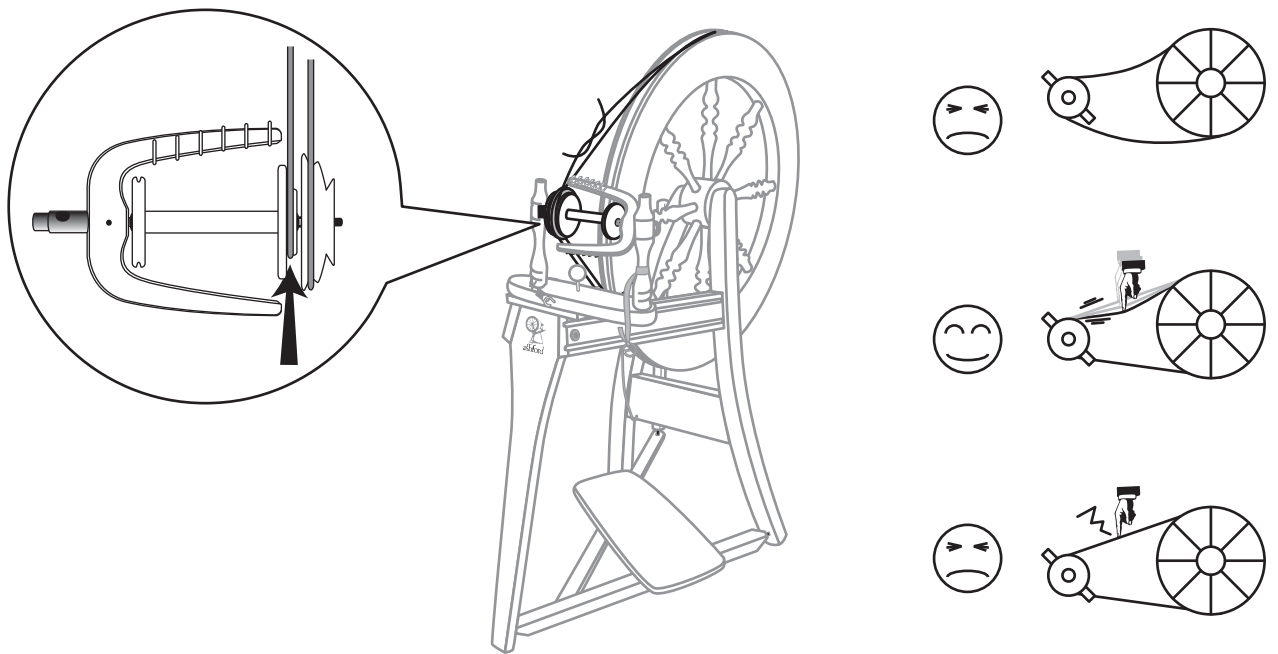
26



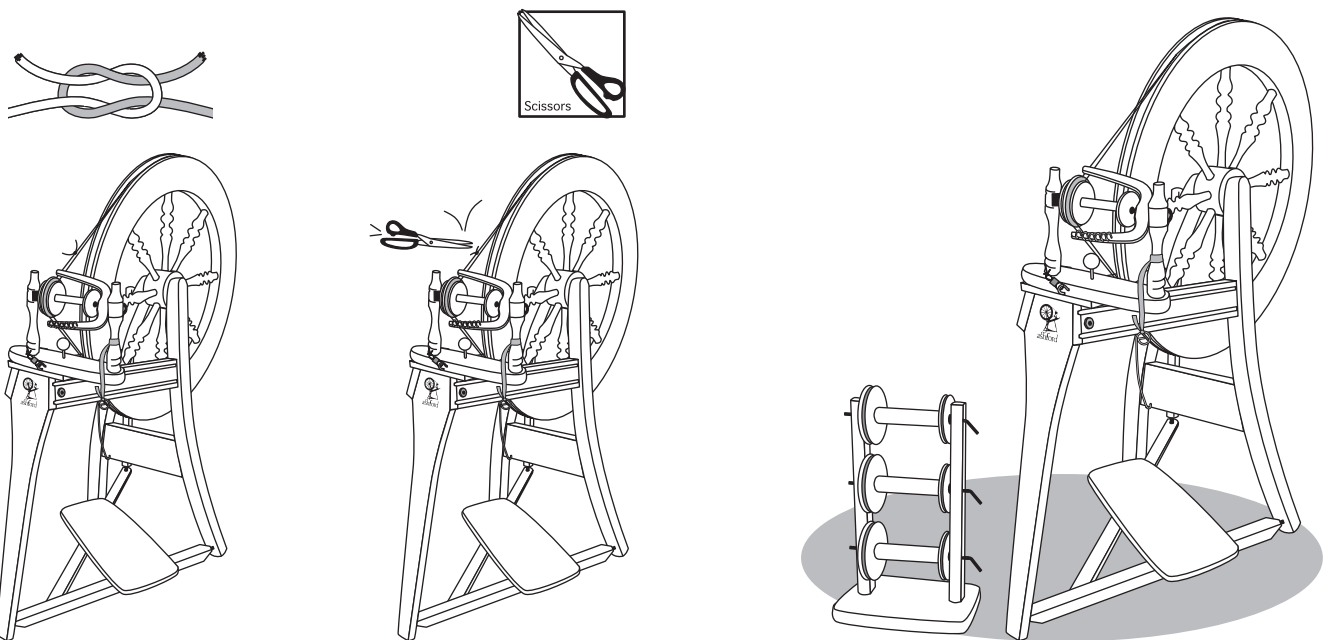
27



28



29





Does not pull yarn in

Drive band tension is too loose.

2-3cm

Or →

Yarn breaks

Drive band tension is too tight.

2-3cm

Or →

Hard to Treadle

OIL

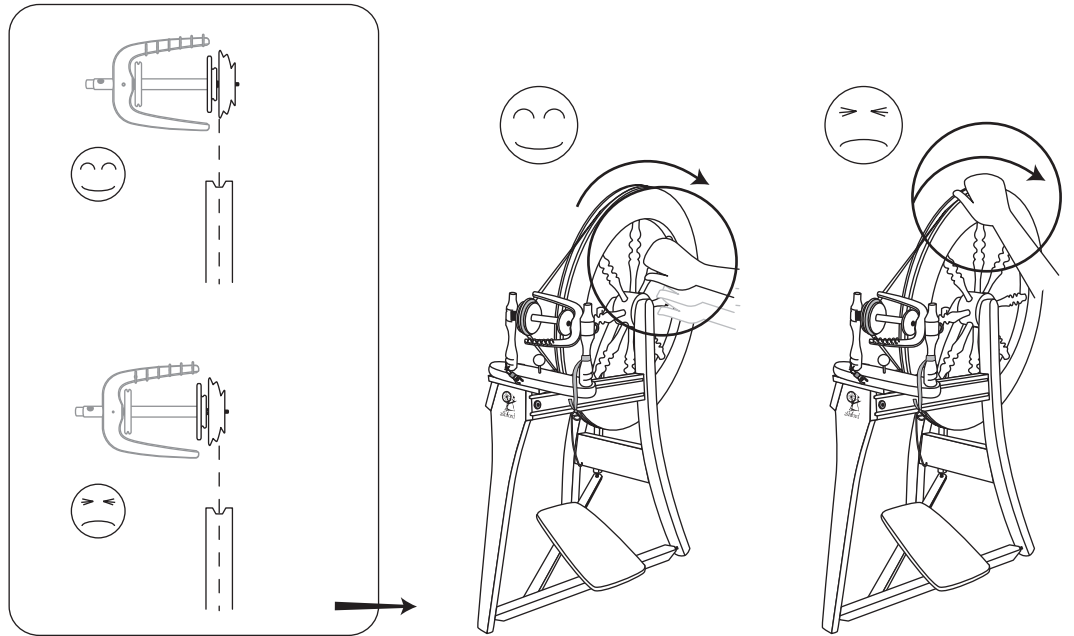
OIL

CANDLE WAX

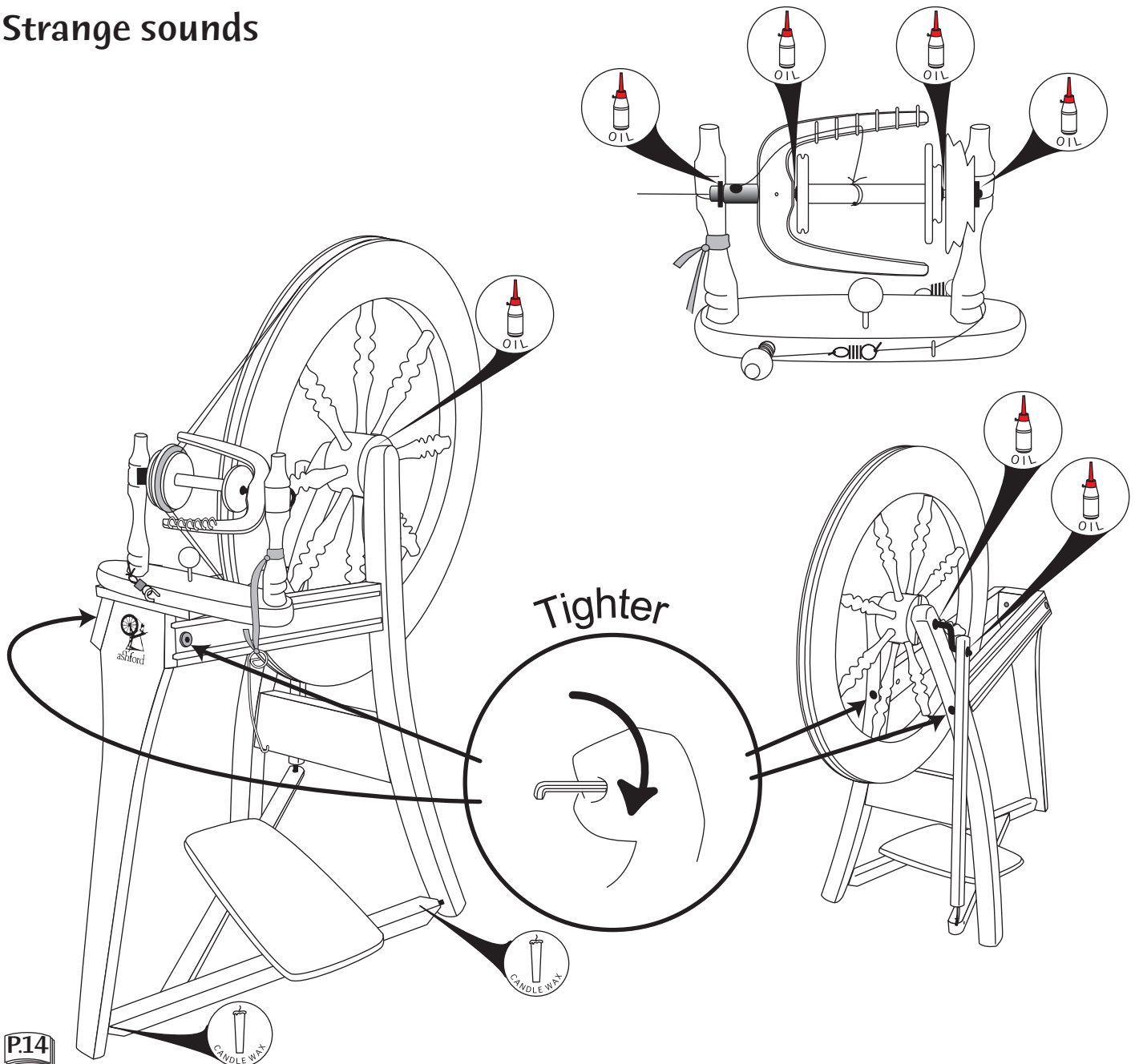
CANDLE WAX

Or →

Drive band falls off easily

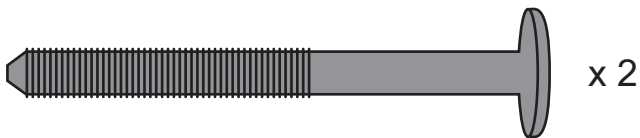


Strange sounds



Traditional Double Drive Spinning Wheel - Hardware List

1 x Double Drive Band
1 x Nylon Brake Band



1 x Hub Pin



1 x Flexible Conrod Joint



1 x Drawing Pin



13 x Cup Hooks



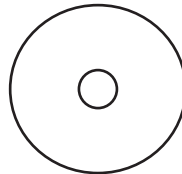
1 x Screw Eye



2 x Tension Springs



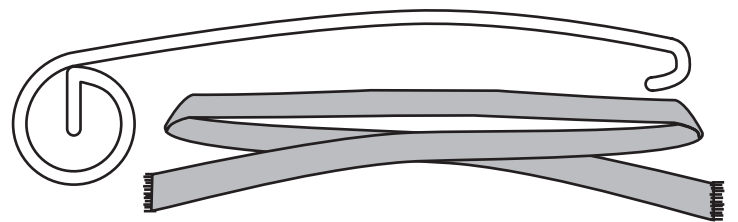
1 x "O" Clip



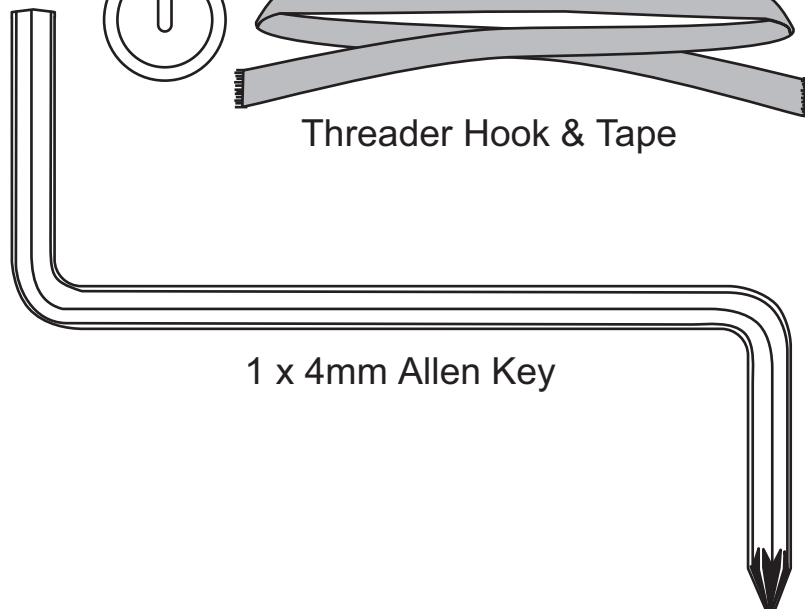
4 x Metal Washer



x 4

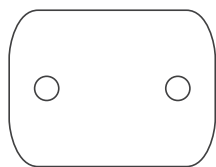


Threader Hook & Tape

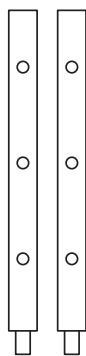


1 x 4mm Allen Key

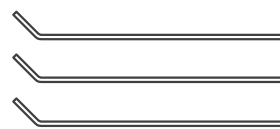
Traditional Double Drive Spinning Wheel - Parts List



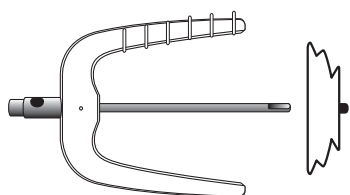
Lazy Kate Base



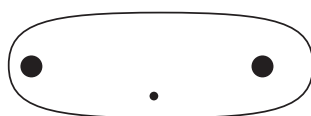
Lazy Kate Uprights



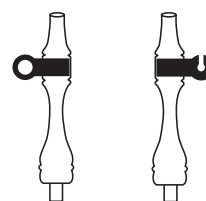
Lazy Kate Wires



Flyer & Whorl



Maiden Bar



Maid Uprights



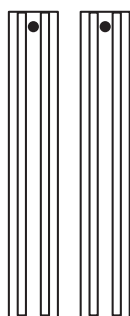
Adjusting Knob



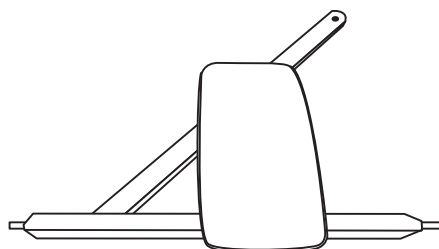
Tension Knob



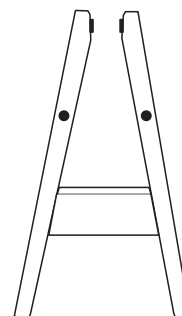
Single Leg



Side Rails



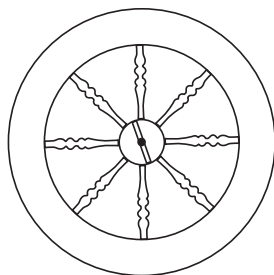
Treadle Assembly



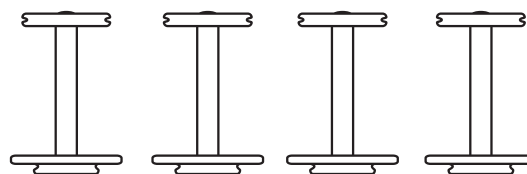
Wheel Support



Conrod



Wheel



Bobbins